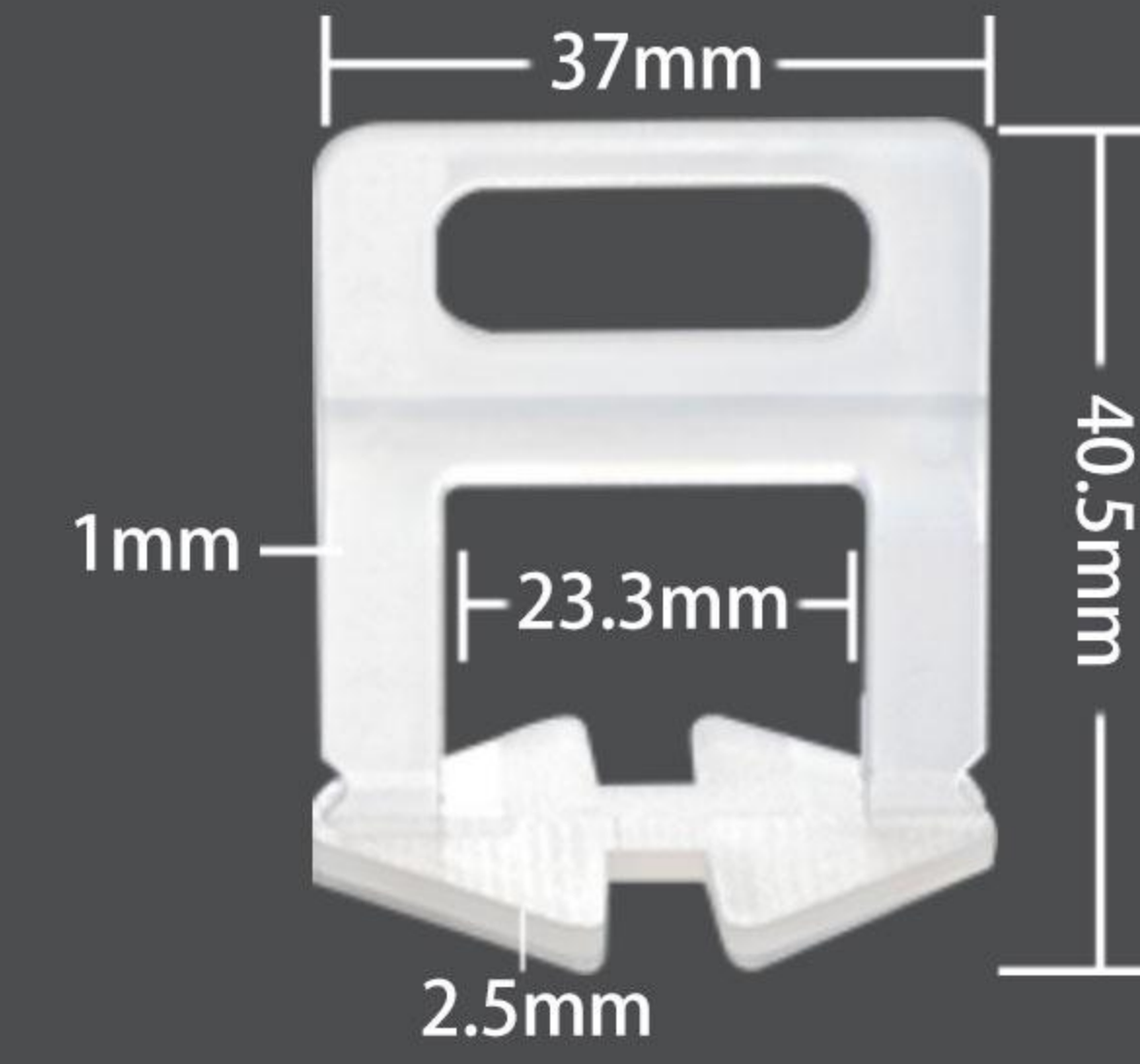
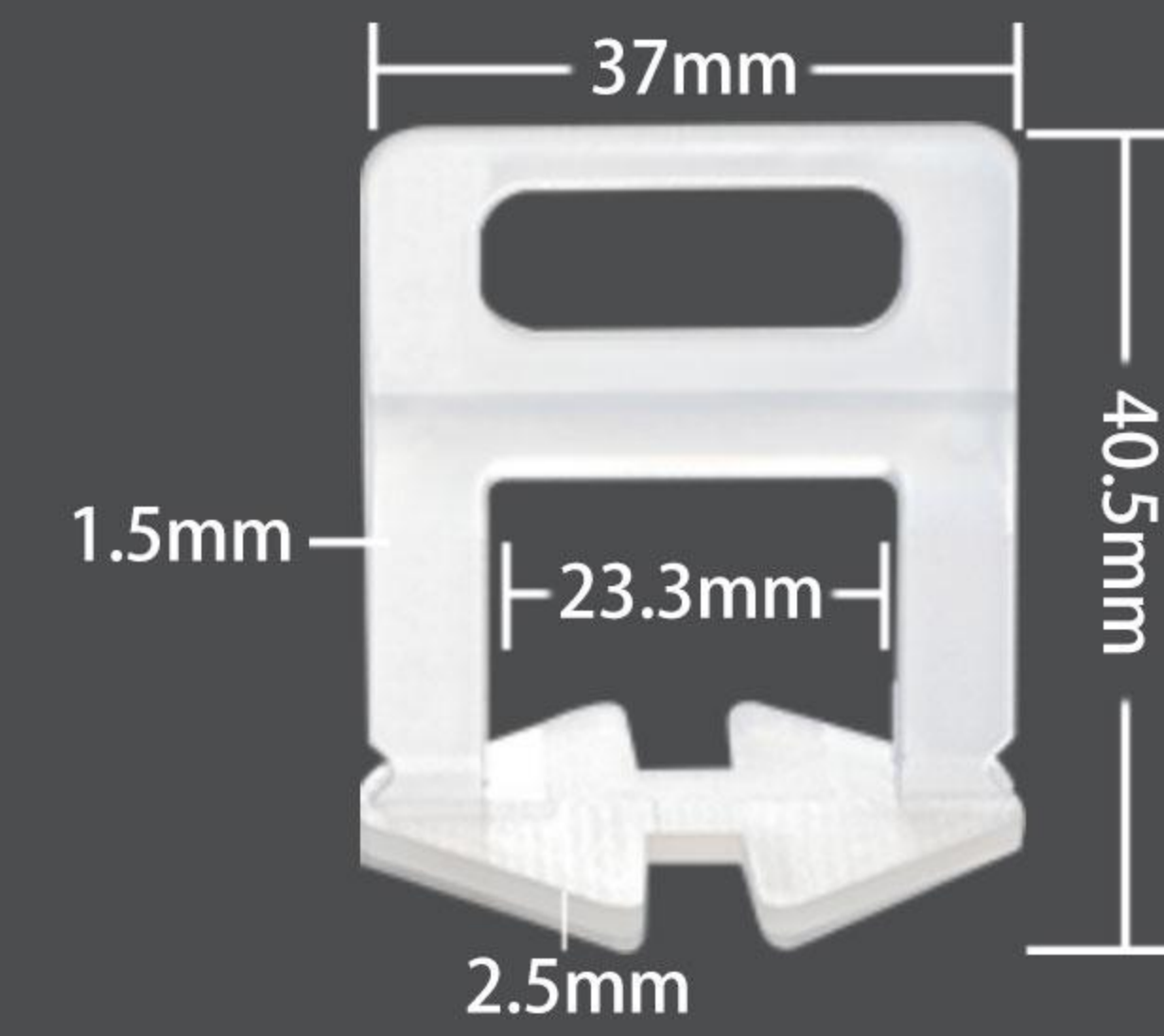


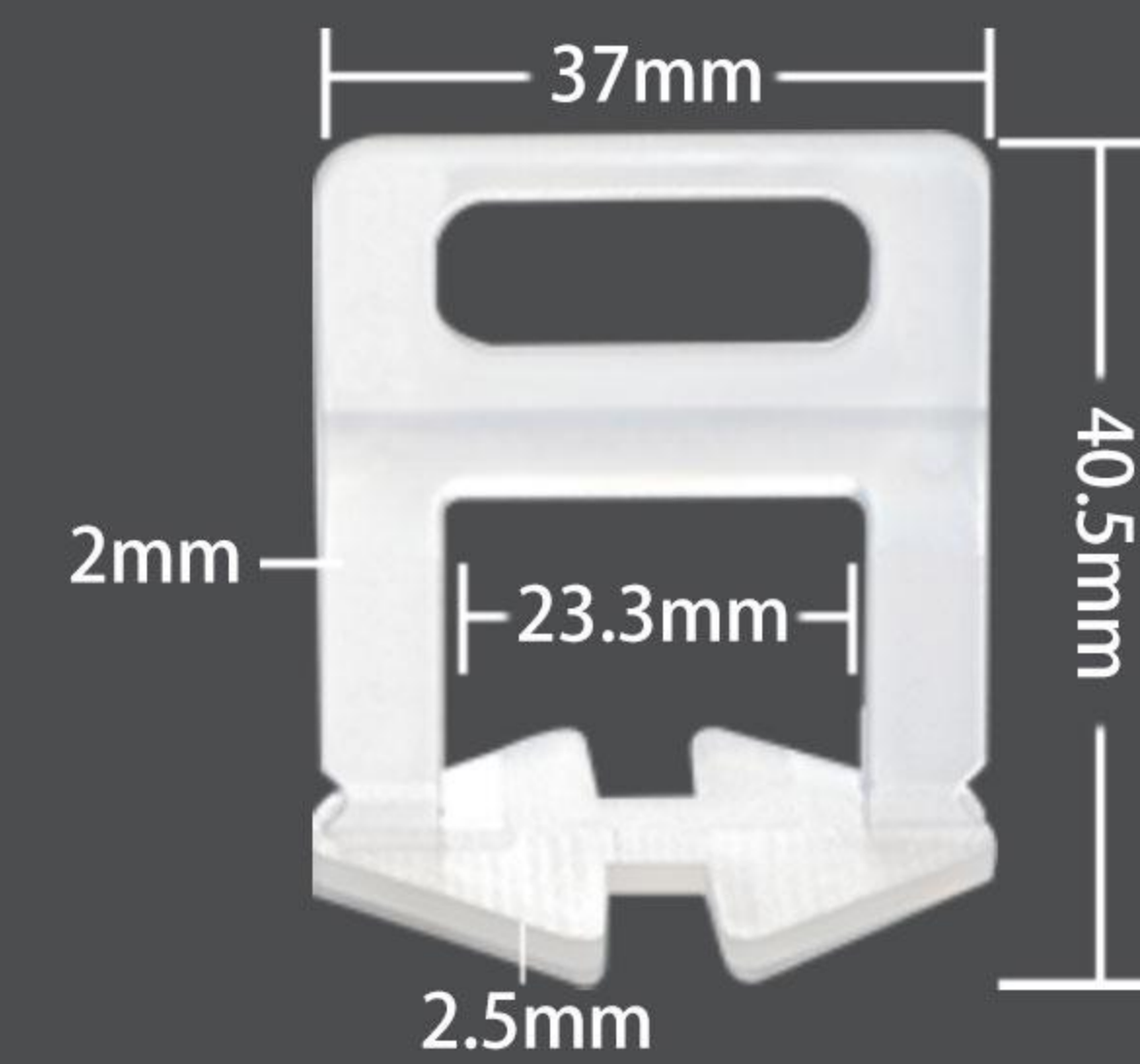
产品参数



NAME: Large Push-in Type Leveler  
SPECIFICATION: 2-1.0mm  
MATERIAL: Pure new material PP  
USE RANGE: 5mm-14mm thick tiles  
TILE SIZE: Most tiles  
NOTE: There is deviation in manual measurement

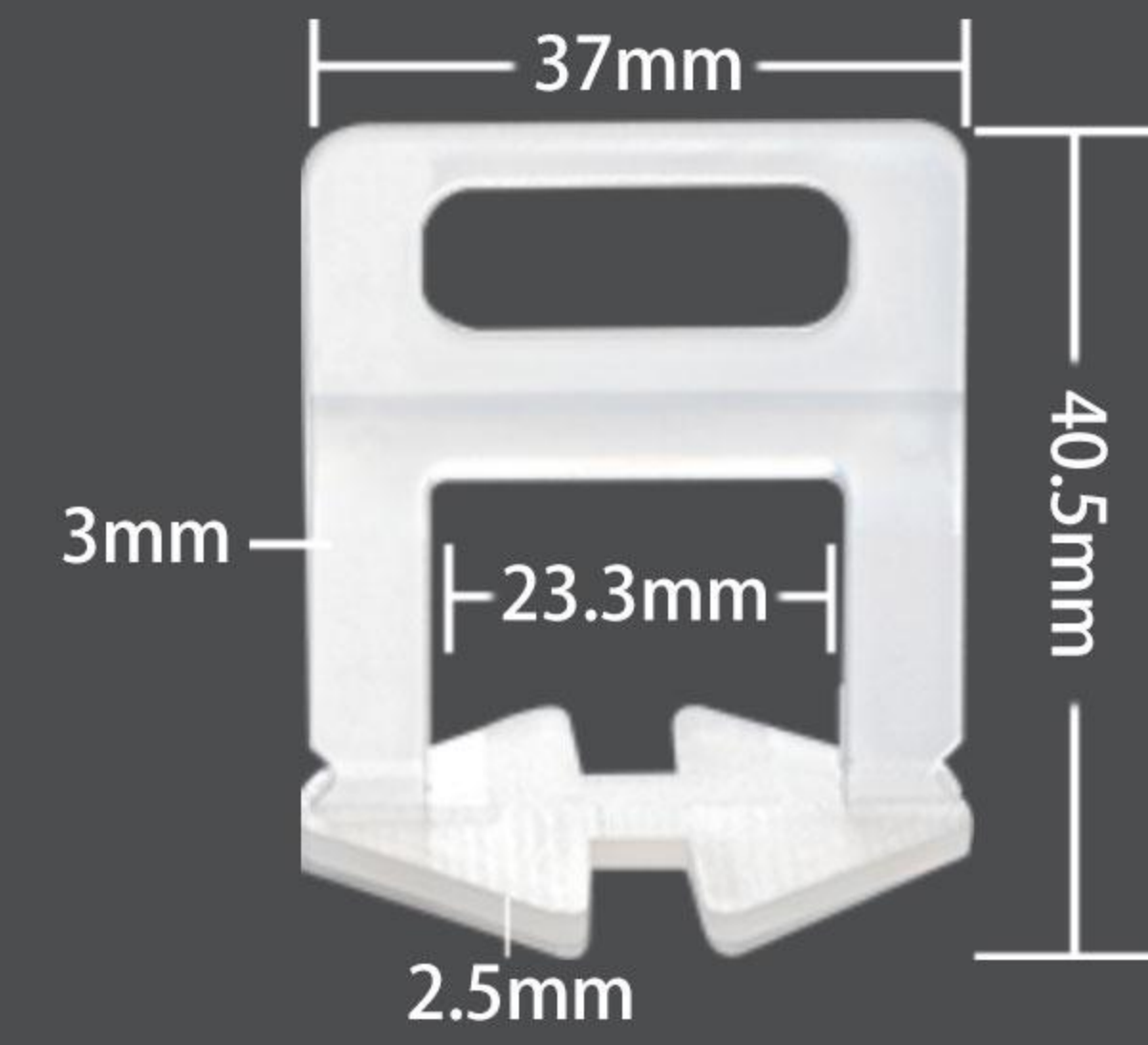


NAME: Large Push-in Type Leveler  
SPECIFICATION: 2-1.5mm  
MATERIAL: Pure new material PP  
USE RANGE: 5mm-14mm thick tiles  
TILE SIZE: Most tiles  
NOTE: There is deviation in manual measurement

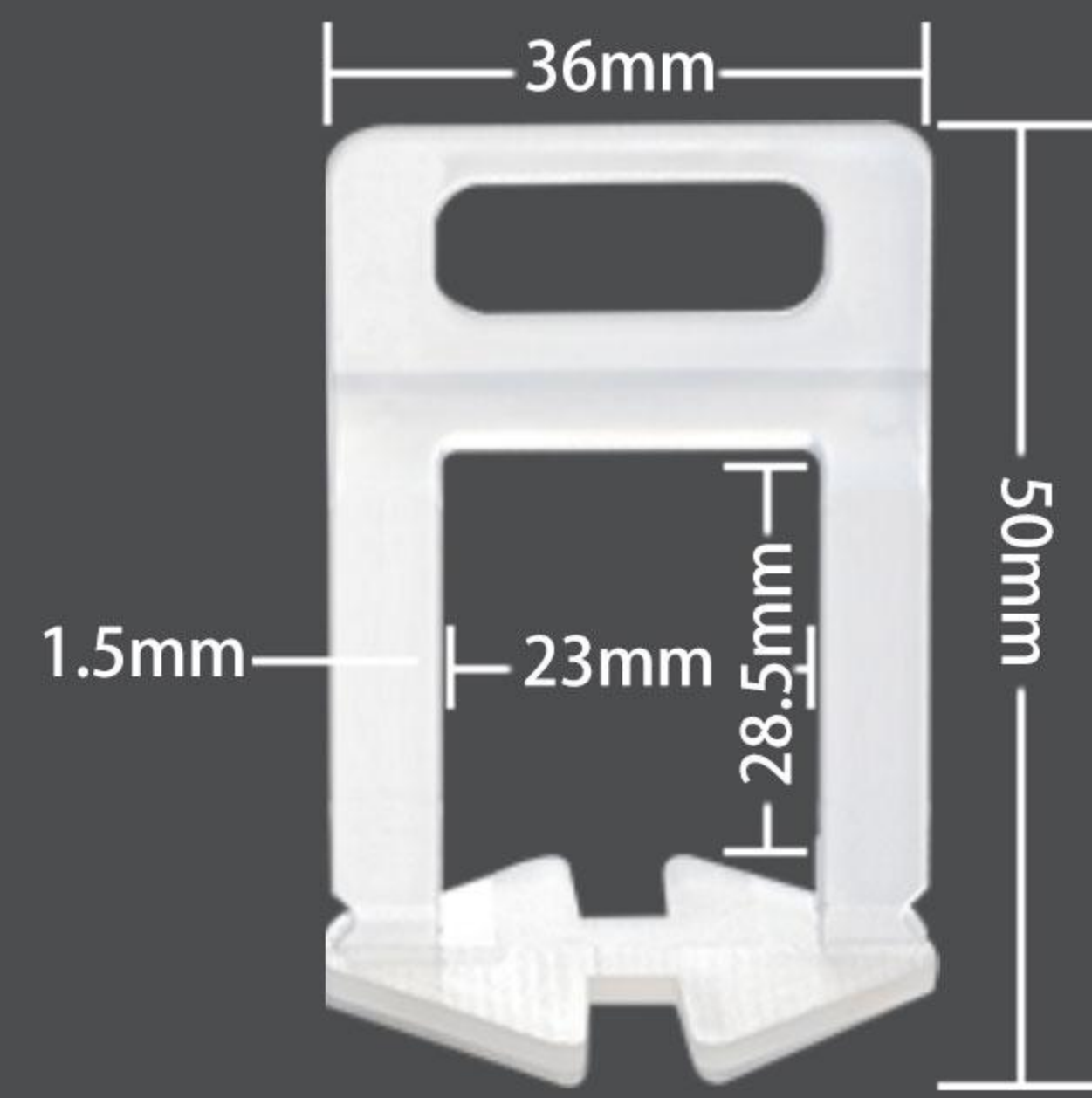


NAME: Large Push-in Type Leveler  
SPECIFICATION: 2-2.0mm  
MATERIAL: Pure new material PP  
USE RANGE: 5mm-14mm thick tiles  
TILE SIZE: Most tiles  
NOTE: There is deviation in manual measurement

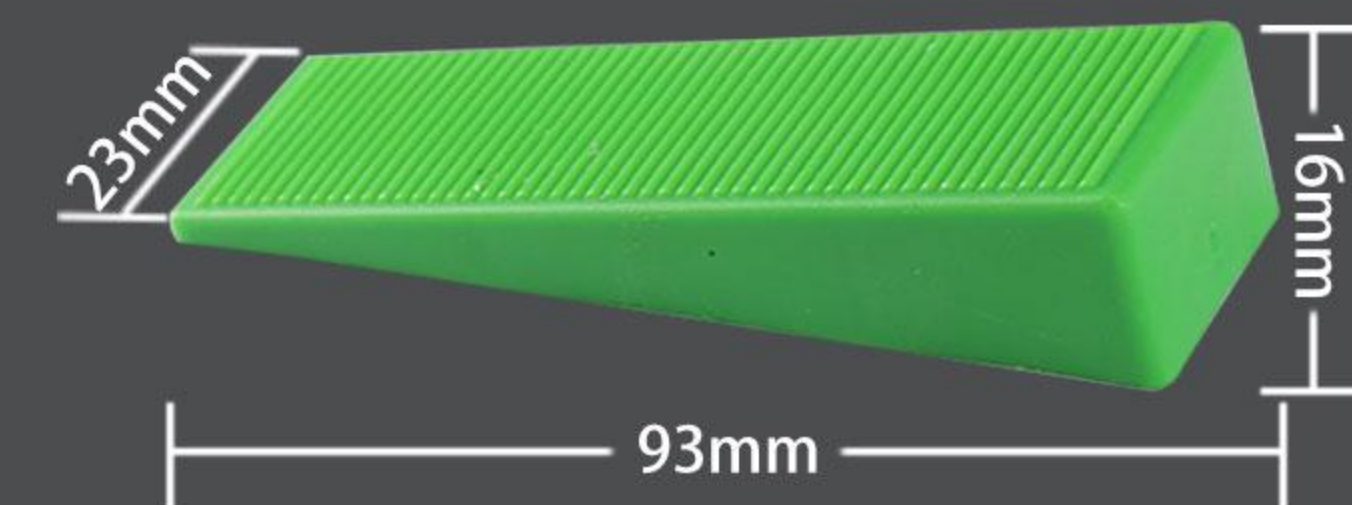
产品参数



NAME: Large Push-in Type Leveler  
 SPECIFICATION: 2-3.0mm  
 MATERIAL: Pure new material PP  
 USE RANGE: 5mm-14mm thick tiles  
 TILE SIZE: Most tiles  
 NOTE: There is deviation in manual measurement

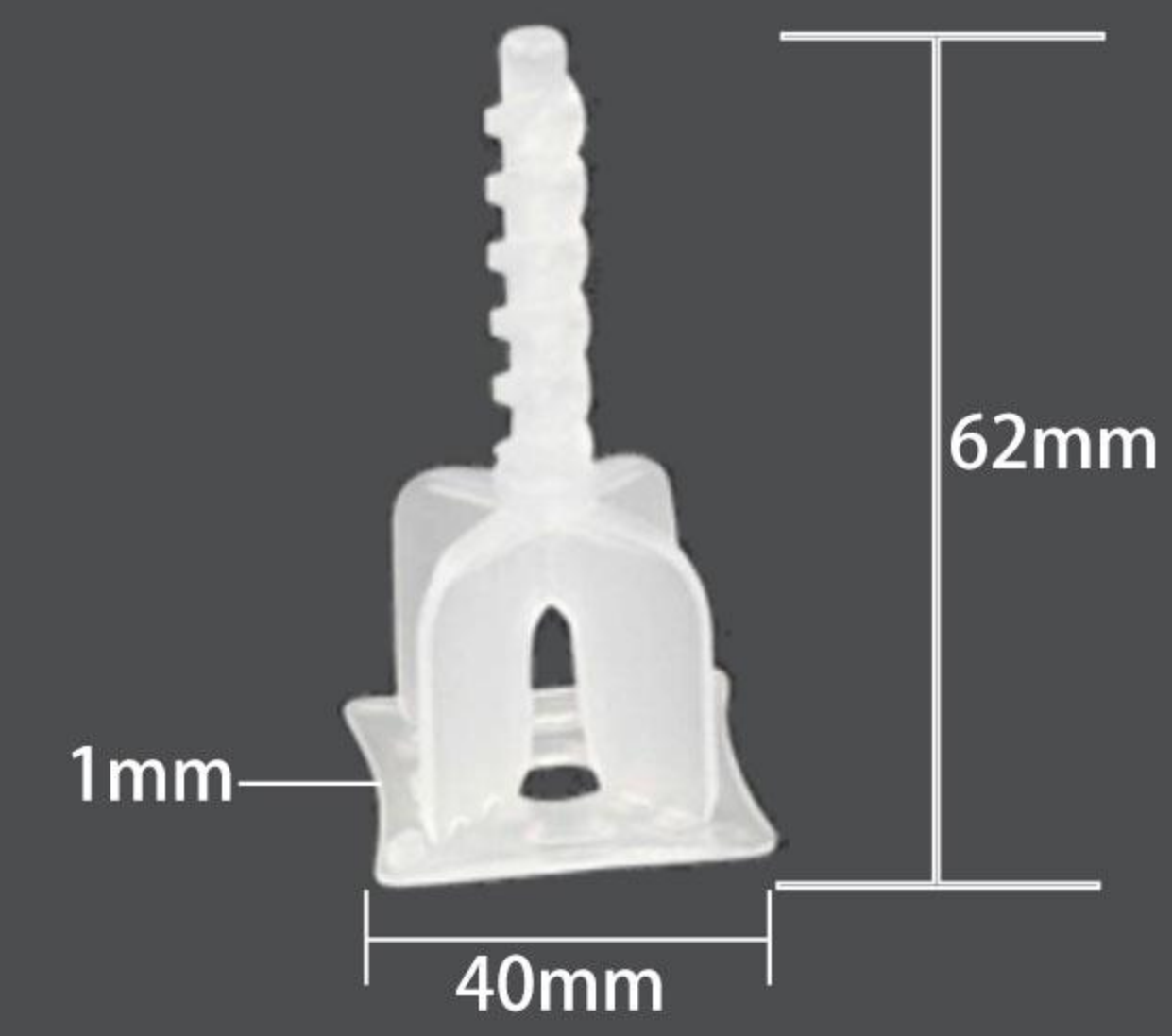


NAME: Large Push-in Type Leveler  
 SPECIFICATION: 2- 1.5mm heightened  
 MATERIAL: Pure new material PP  
 RANGE OF APPLICATION: 12mm-20mm thick tiles  
 TILE SIZE: Most tiles  
 NOTE: There is deviation in manual measurement

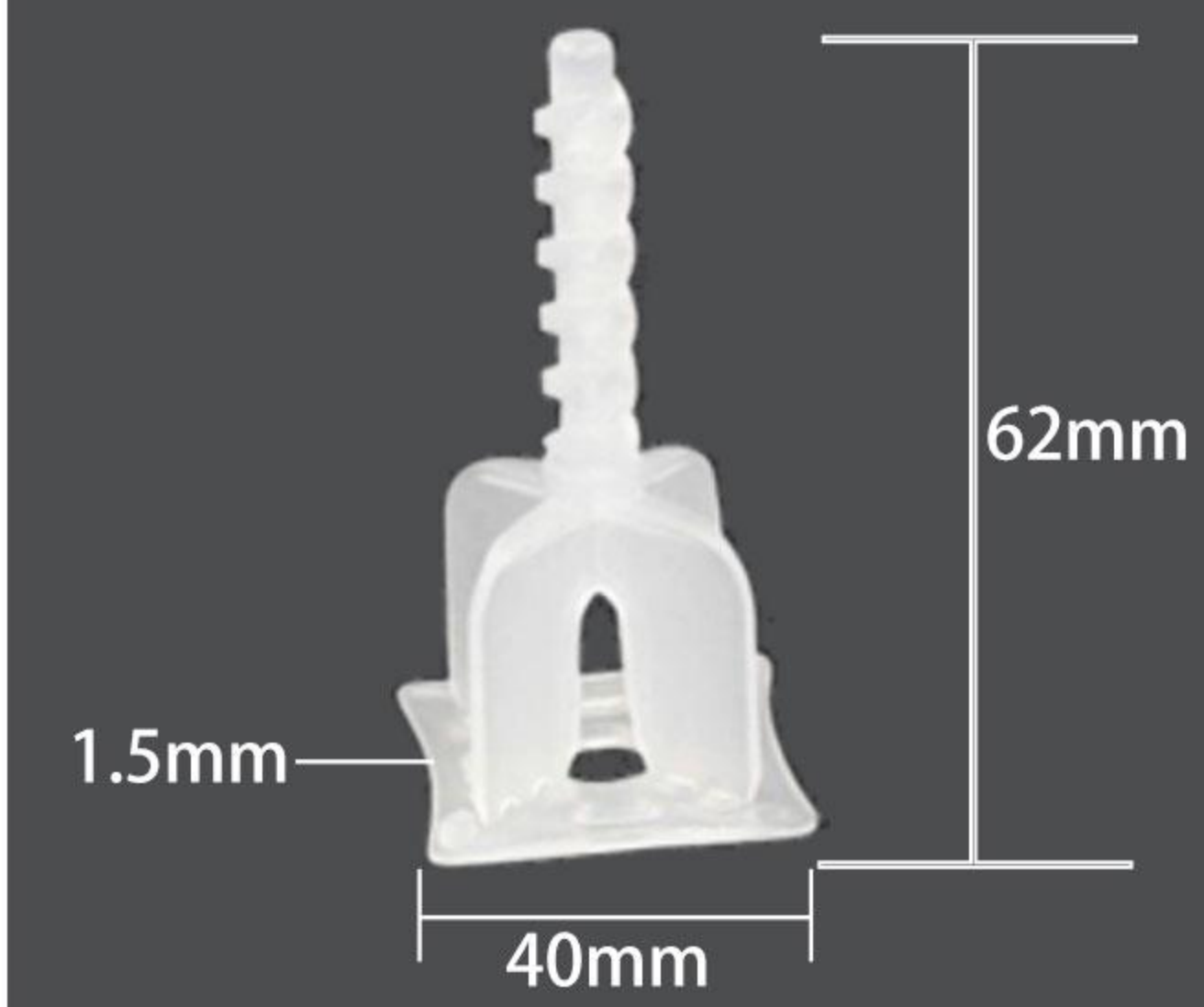


NAME: Tile leveling system  
 STYLE: Push-in type  
 MATERIAL: Pure new material PE  
 FUNCTION: Universal insert  
 TILE SIZE: Most tiles  
 NOTE: Manual measurement has deviation

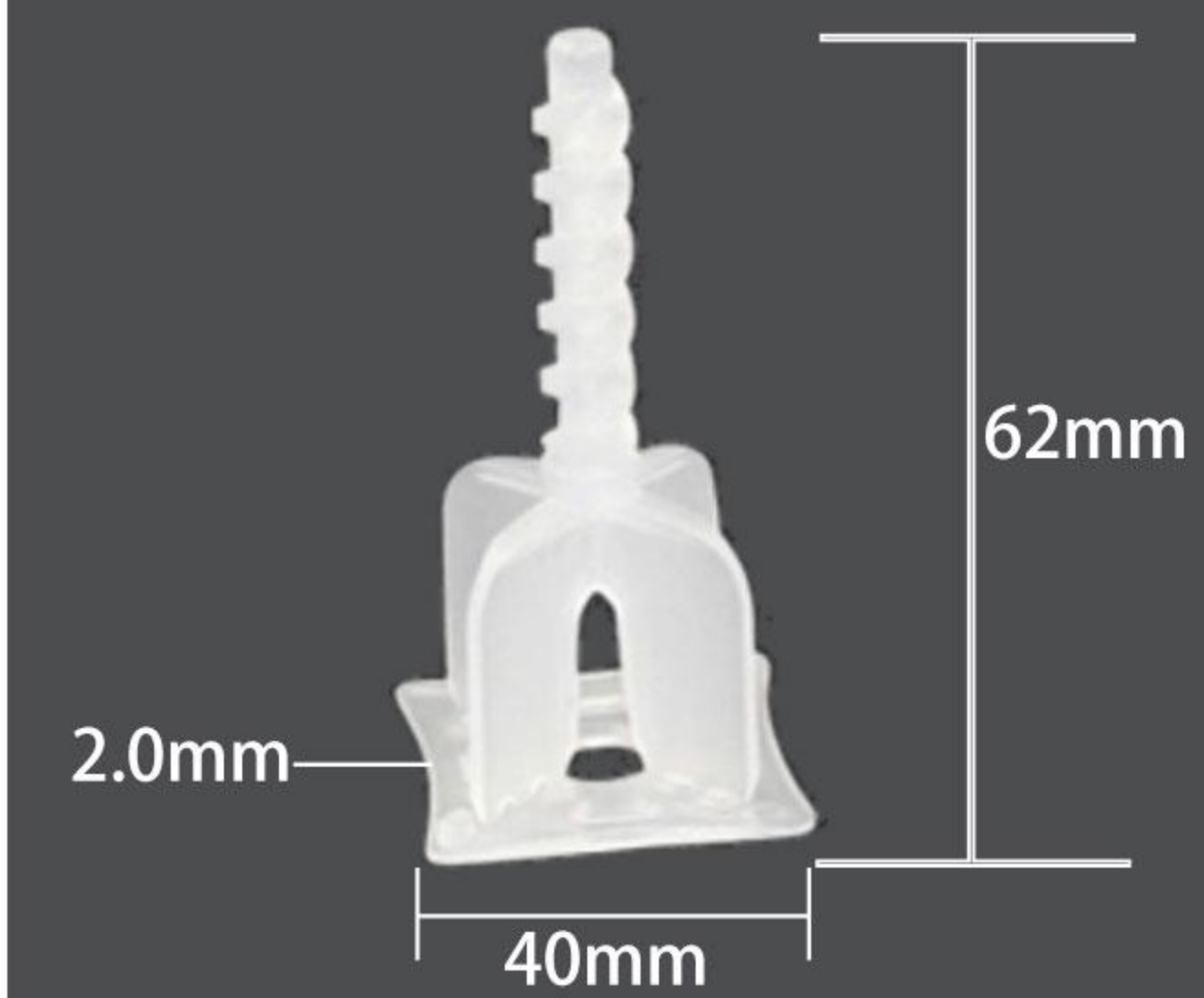
产品参数



NAME: Nut Leveler  
 SPECIFICATION: 6-2-1.0mm (Cross type)  
 MATERIAL: Pure PP  
 USE RANGE: 4-21mm  
 TILE SIZE: Most tiles  
 REMARKS: Manual measurement data

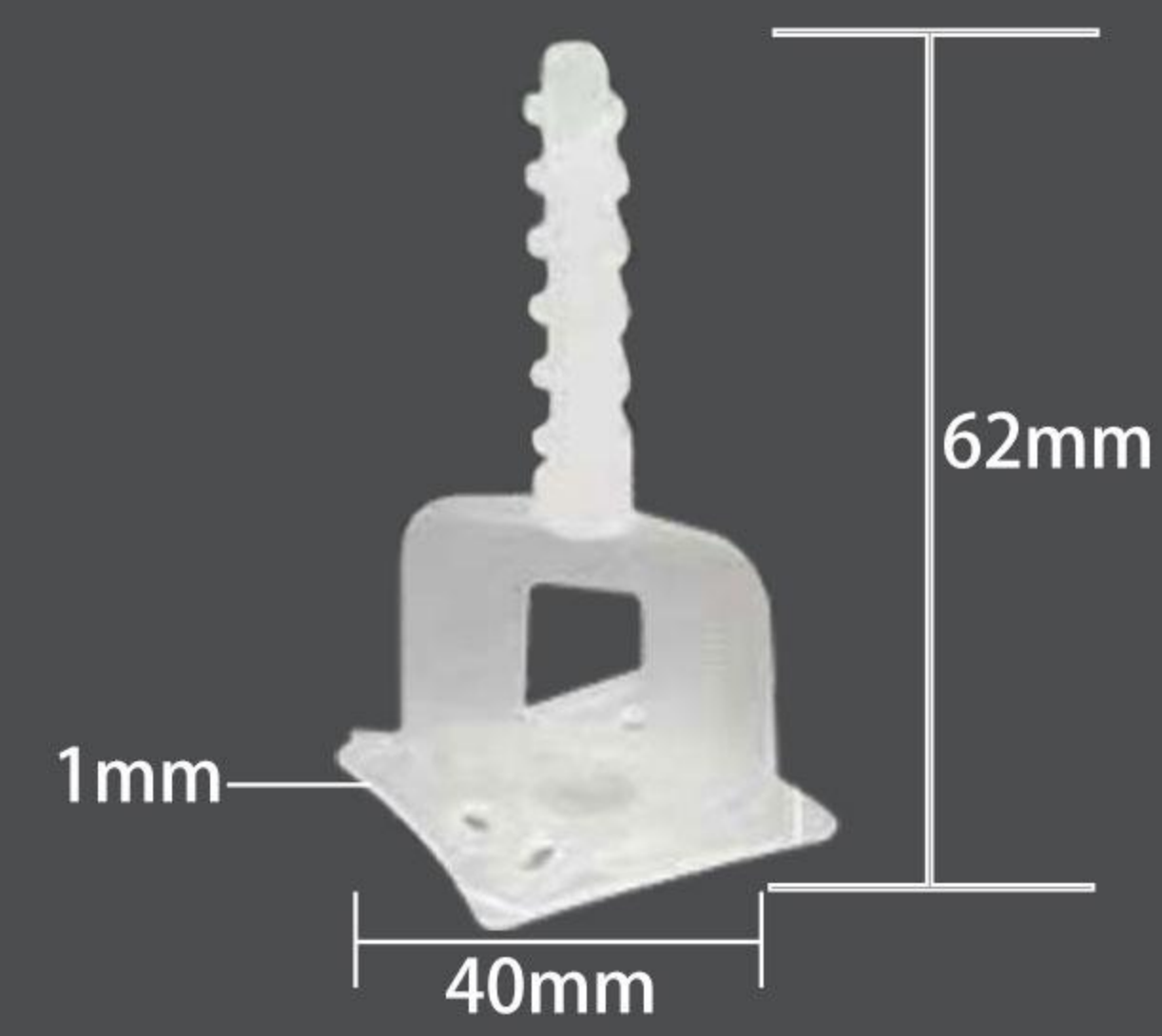


NAME: Nut Leveler  
 SPECIFICATION: 6-2-1.5mm (Cross type)  
 MATERIAL: Pure PP  
 USE RANGE: 4-21mm  
 TILE SIZE: Most tiles  
 REMARKS: Manual measurement data

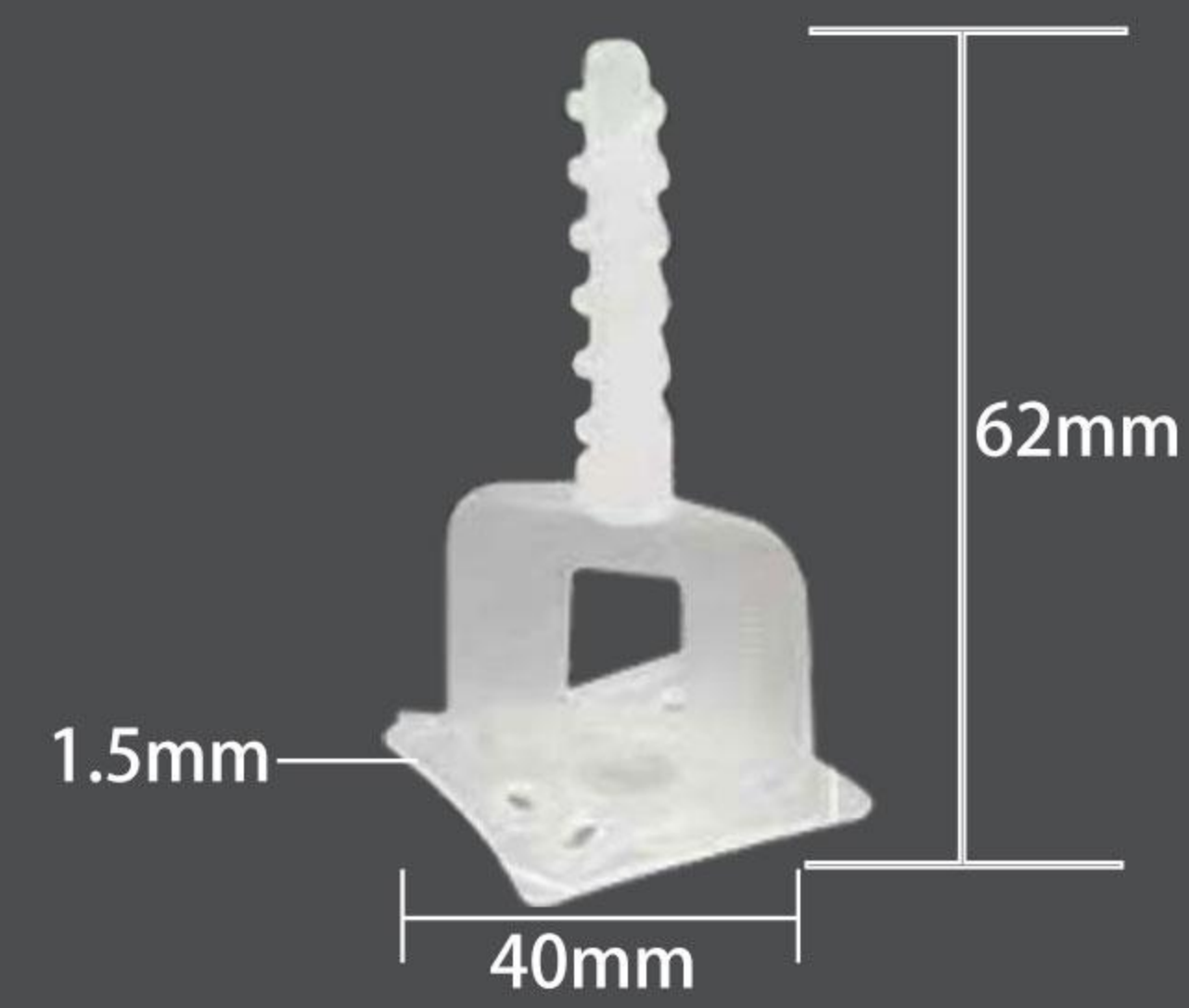


NAME: Nut Leveler  
 SPECIFICATION: 6-2-2.0mm (Cross type)  
 MATERIAL: Pure PP  
 USE RANGE: 4-21mm  
 TILE SIZE: Most tiles  
 REMARKS: Manual measurement data

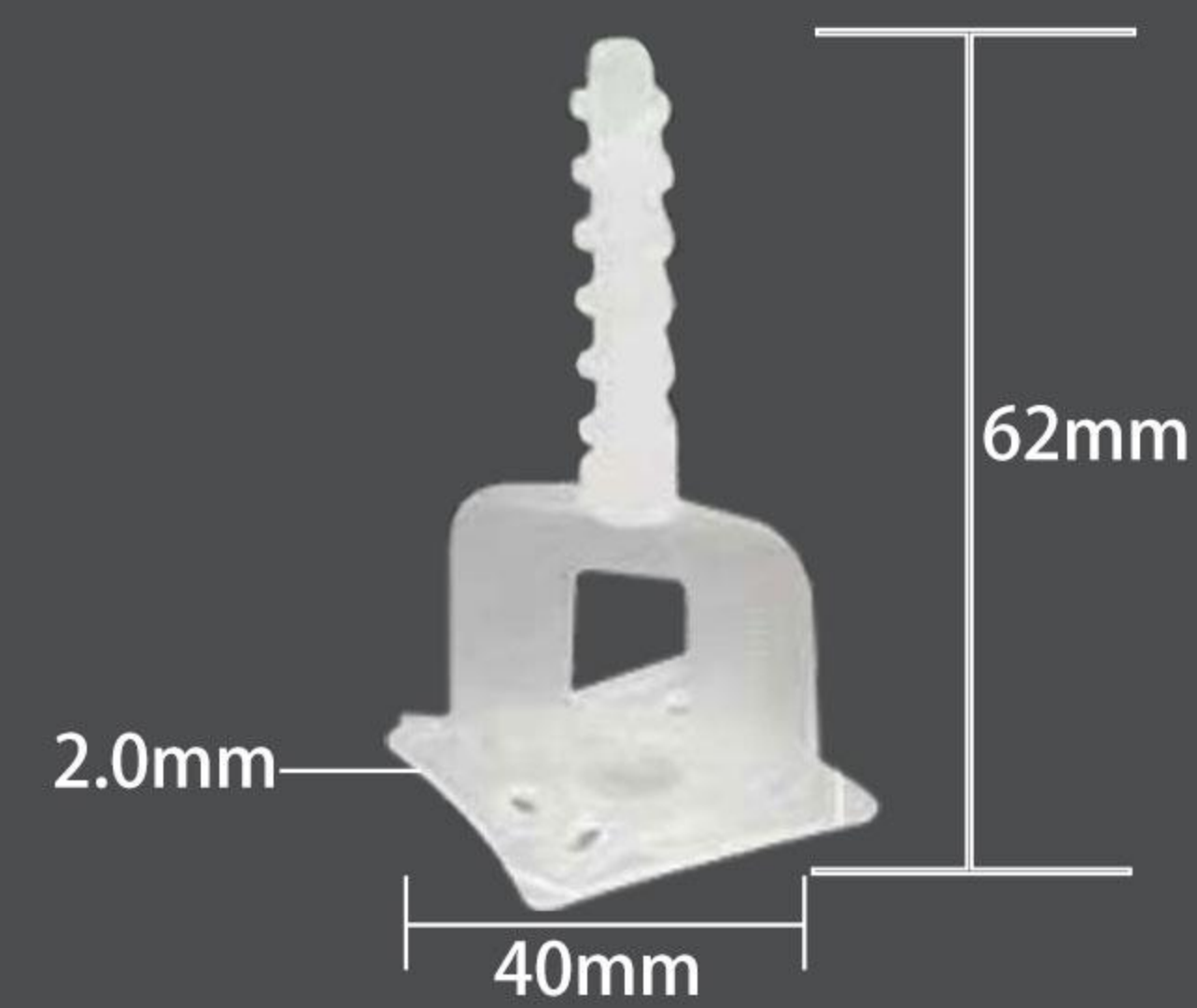
产品参数



NAME: Nut Leveler  
 SPECIFICATION: 6-2-2.0mm (One-character model)  
 MATERIAL: Pure PP  
 USE RANGE: 4-21mm  
 TILE SIZE: Most tiles  
 REMARKS: Manual measurement data

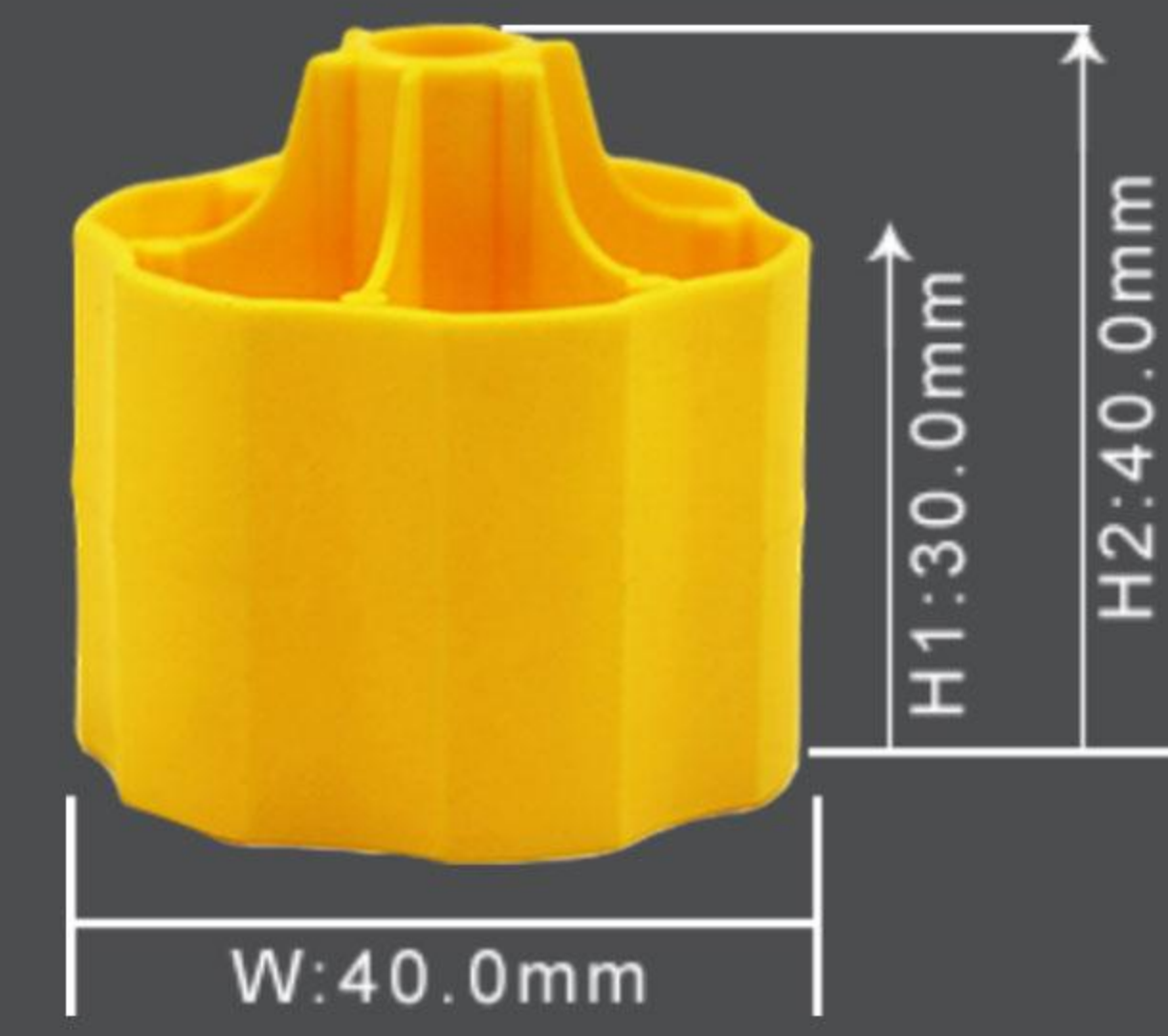


NAME: Nut Leveler  
 SPECIFICATION: 6-2-2.0mm (One-character model)  
 MATERIAL: Pure PP  
 USE RANGE: 4-21mm  
 TILE SIZE: Most tiles  
 REMARKS: Manual measurement data



NAME: Nut Leveler  
 SPECIFICATION: 6-2-2.0mm (One-character model)  
 MATERIAL: Pure PP  
 USE RANGE: 4-21mm  
 TILE SIZE: Most tiles  
 REMARKS: Manual measurement data

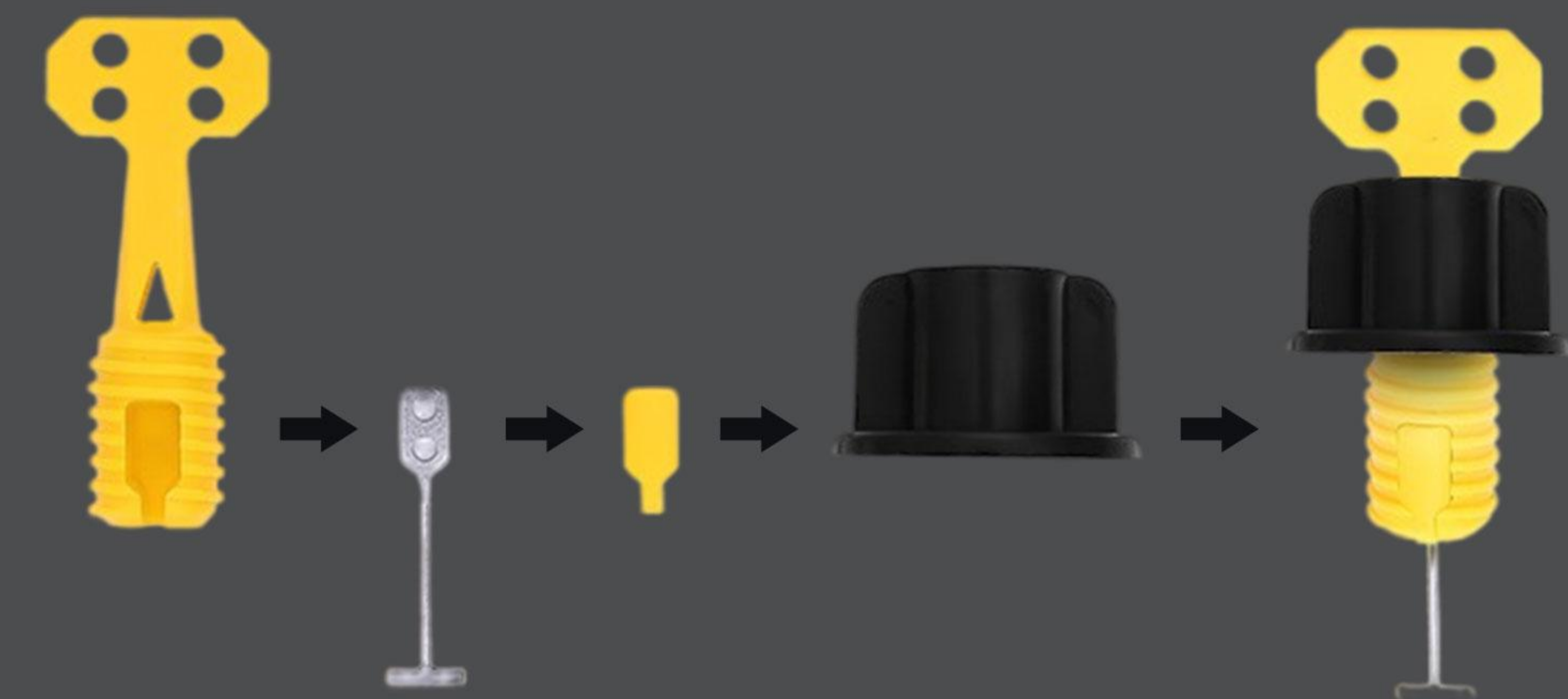
产品参数



NAME: Rotating Nut  
 SPECIFICATION: 6-1 rotating nut (Universal)  
 MATERIAL: Pure PP  
 FUNCTION: Used in combination with 6-2  
 TILE SIZE: Most tiles  
 REMARKS: Manual measurement data



NAME: Tile Leveler  
 MATERIAL: PP plastic + Stainless steel  
 SPECIFICATION: 50pcs/bag  
 PACKING: 30 bags/carton  
 BRICK GAP: 1.5mm-6mm  
 TILE THICKNESS: 3mm-16mm



产品参数

