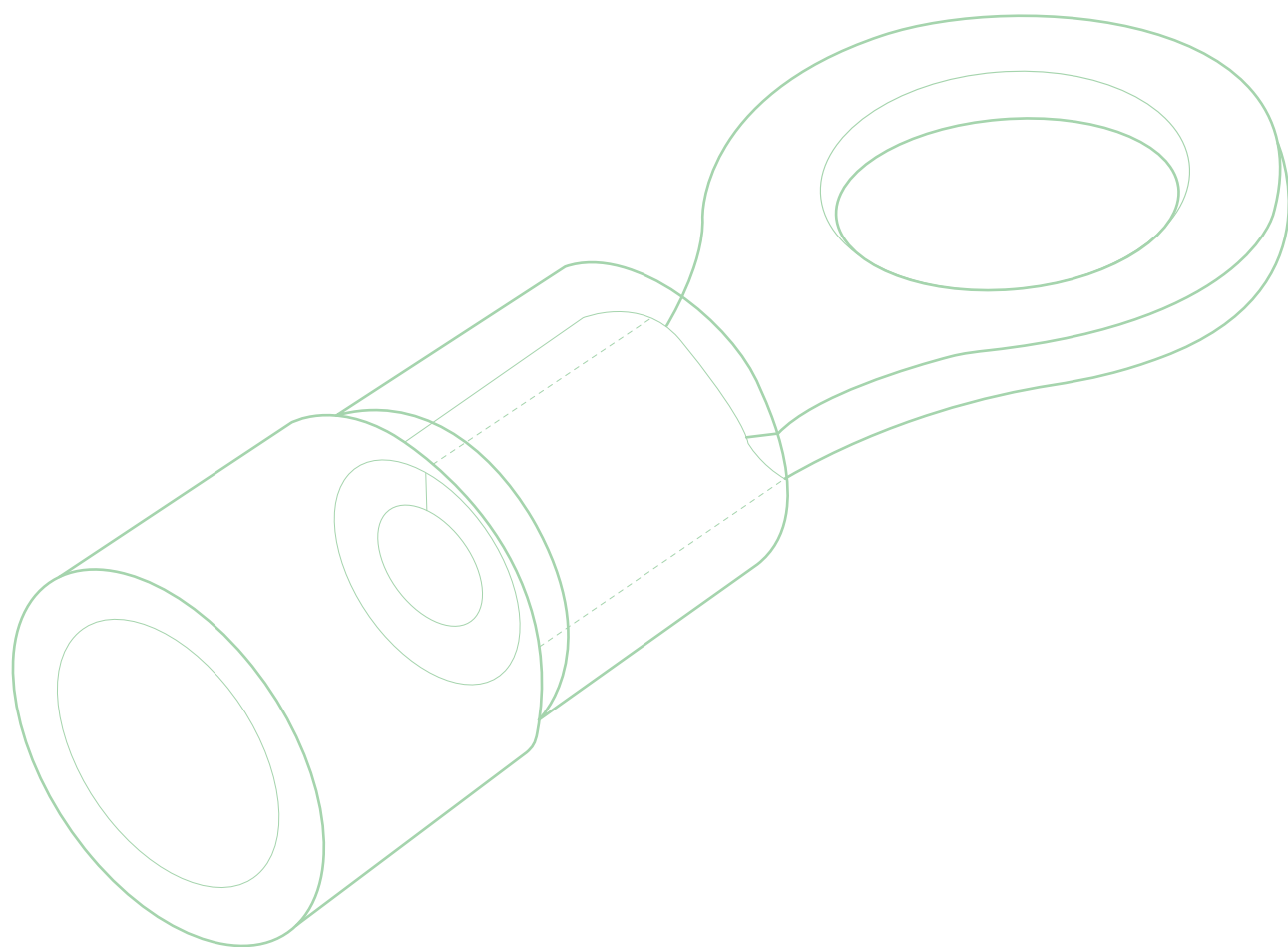


# TERMINALS

&CONNECTORS /

WE WILL BE BEST

■ 我们会更好!





High Quality

质量好

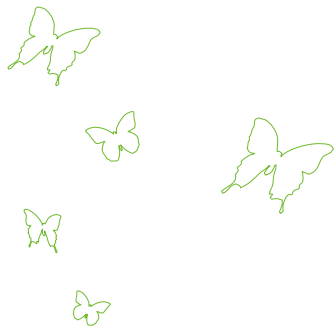
Low Price

价格优

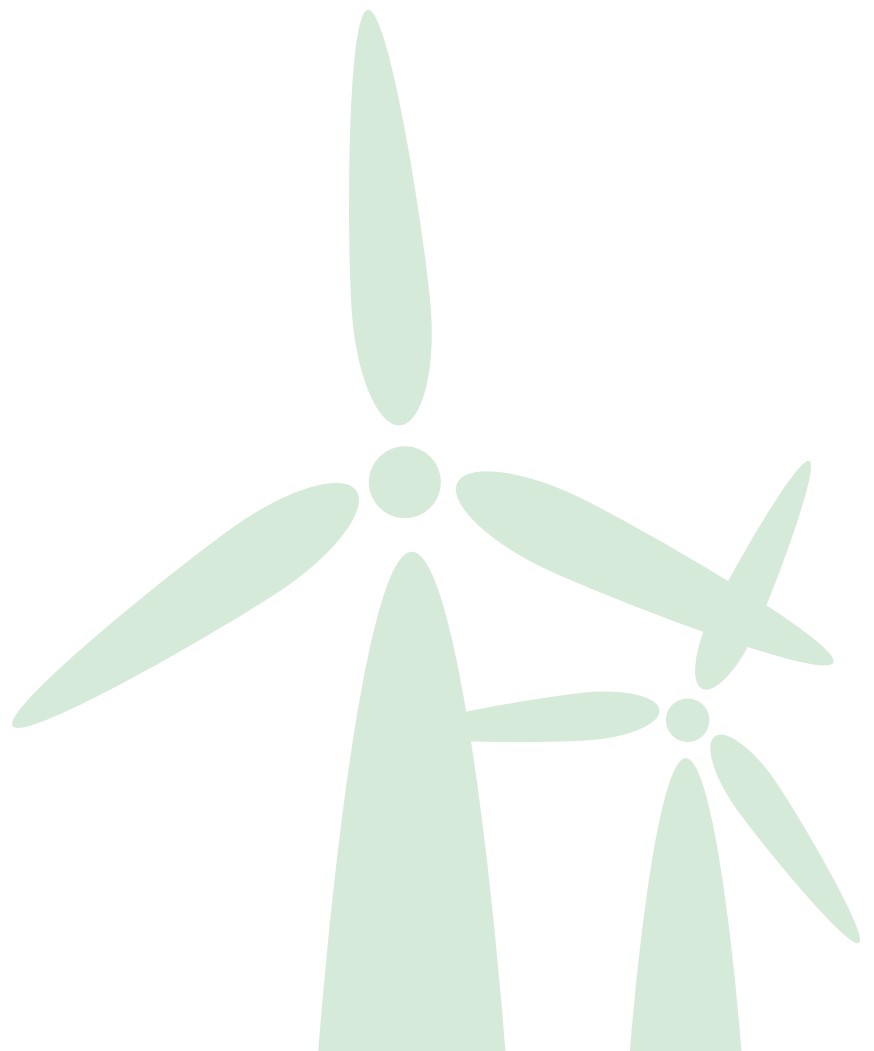
Fast Delivery

交期快





绿色能源 需要我们共同努力  
Green energy us to work together



# Products Contents

# 产品目录

Security,  
we want you to be more  
comprehensive.



## A

端子概述  
Terminals Introduction

**001<004**



## B

PVC / 尼龙 / 热缩绝缘端子  
Vinyl / Nylon / Heat shrinkable  
-Insulated Copper Terminals

**005<026**



## C

裸端子  
Non-Insulated Copper  
Terminals

**027<036**



## D

PVC / 尼龙 / 热缩快速连接端子  
Vinyl / Nylon / Heat shrinkable-Insulated  
Quick Disconnectors

**037<046**



## E

中接管及其它连接器  
Butt Splice & Other  
Connectors

**047<055**



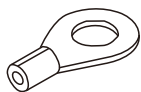
## F

欧式管形端子  
Cord End Terminals

## \*\*DESCRIPTION 1\*\*

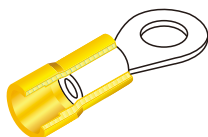
### BARREL TYPES

A



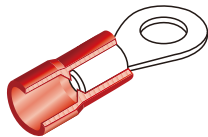
#### NB类 NB TYPE

端头(裸)尾部焊缝  
NON-INSULATED BRAZED SEAM TERMINAL



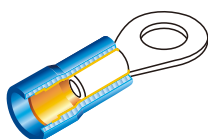
#### V类 V TYPE

端头尾部套PVC绝缘套  
VINYL INSULATED SINGLE CRIMP TERMINAL



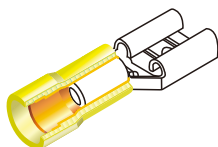
#### NY类 NY TYPE

端头尾部套尼龙绝缘套  
NYLON INSULATED SINGLE CRIMP TERMINAL



#### D类 D TYPE

端头尾部镶铜套再套PVC绝缘套  
VINYL INSULATED DOUBLE CRIMP TERMINAL  
(WITH EASY ENTRY COPPER SLEEVE)

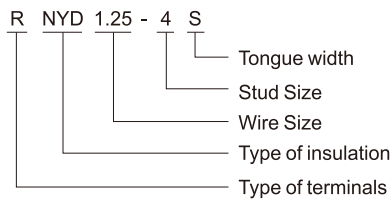


#### FD类 FD TYPE

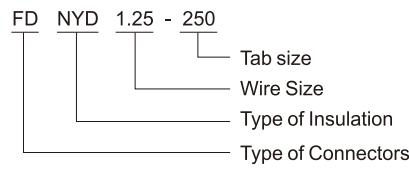
端头尾部镶铜套再套PC绝缘套  
PC INSULATED DOUBLE CRIMP TERMINAL  
(WITH EASY ENTRY COPPER SLEEVE)

## CNXI NUMBER CONSTITUTION

### Terminals



### Connectors



Description 1

A

Type	Type of Terminals	Type of Insulation	Wire Size	Size	Tongue Width
Ring Terminals	R	NYD	1.25 - 3.7		S
Spade Terminals	S	D	2 - 4		M
Locking Spade Terminals	LS				
Flange Spade terminals	FS				
Hook Terminals	H	NY	5.5 - 5		
Blade Terminals	DB				
Lipped Blade Terminals	LB				
Pin Terminals	PT	V	1.25 - 10		
Flag Terminals	FG				
DIN-Ring Terminals	DR				
DIN-Spade Terminals	DS				
-----					
Female Disconnects	FD	NYD	5.5 - 250		
Male Disconnects	MD				
Female Disconnects--Fully Insulated	FDF	NYD	2 - 250		
Flag Female Disconnects	FLD	NYD	1.25 - 250		
Piggy Back Disconnects	PBD				
Female Receptacle Disconnects	FR				
Male Bullet Disconnects	MP				
-----					
Closed End Connectors	CE		1.25		
Butt connectors	B	V	2		
Cord End Terminals	E		75 - 12		

Description 2

## Type of insulation

Crimp Type	Type of Insulation	Insulation Material	Temperature Rating
Nylon Insulated-Single Crimp	NY	Nylon	105°C
Vinyl Insulated-Double Crimp	D	Vinyl	75°C
Vinyl Insulated-Single Crimp	V	Vinyl	75°C
Non-Insulated with Brazed seam	NB		

Description 3

A

APPLICABLE TERMINALS	AREA mm <sup>2</sup> INSULATED COLOR CODE		WIRE SIZE				TENSILE STRENGTH		MAX CURRENT (A)
			mm <sup>2</sup>	AWG	DIAMETER (mm)	AREA (mm <sup>2</sup> )	JIS-2805 (kgf)	UL-486A (kgf)	
0.5	0.10-0.4 Yellow		0.12	26	0.4050	0.129		1.37	
			0.2	24	0.5110	0.205		2.27	
1.25	0.25-1.65 Red		0.3	22	0.6440	0.326		3.63	9
			0.5	20	0.8120	0.518		5.90	12
			0.75	18	1.0240	0.823		9.07	17
2	1.04-2.63 Red		1.25	16	1.2910	1.309	20.400	13.61	19
3.5			14	1.6280	2.081	29.580	22.68	27	
5.5	2.63-4.6 Blue		3.5	12	2.0530	3.310	55.080	31.75	37
			5.5	10	2.5880	5.260	79.560	36.29	48
8	2.63-6.64 Yellow		6.64-10.52	8	3.2640	8.368	99.968	40.82	62
14			14	6	4.1150	13.300	142.800	45.36	88
22	10.52-16.78 Blue		16.78-26.66	22	5.1890	21.150	183.600	63.50	115
38			38	2	6.540	33.600	255.000	81.65	160
60	26.66-42.42 Red		42.42-60.57	60	8.400	55.500	326.400	113.40	215
80			80	3/0	10.400	84.950	357.000	158.75	255
100	76.28-96.30 Yellow		96.30-117.2	100	11.680	107.150	397.800	204.11	300
150			150	300	19.910	151.950	418.200	249.47	395
200	117.20-152.05 Red		192.6-242.27	200	16.060	202.600	448.800	294.83	470
325			325	600	19.670	303.900	489.600	408.22	650

Note: Advise to use standard electrical wires or which have attestation to work together with KSR products.

STUD SIZE

STANDARD SIZE	STUD SIZE		HOLE SIZE	
	(Inch)	(mm)	(mm)	(Inch)
	#2	2.0	2.2	.087 "
	#3	2.5	2.7	.106 "
	#4	3.0	3.2	.126 "
	#6	3.5	3.7	.146 "
	#8	4.0	4.3	.169 "
	#10	5.0	5.3	.209 "
	1/4 "	6.0	6.4	.252 "
	5/16 "	8.0	8.4	.331 "
	3/8 "	10.0	10.5	.413 "
	7/16 "	11.0	11.5	.453 "
	1/2 "	12.0	13.0	.512 "
	9/16 "	14.0	15.0	.591 "
	5/8 "	16.0	17.0	.669 "
	11/16 "	18.0	19.0	.748 "
	3/4 "	20.0	21.0	.827 "
	7/8 "	22.0	23.0	.906 "
	15/16 "	24.0	25.0	.984 "

TAB SIZE

Description

SERIES	TAB SIZE(w)	
	(Inch)	(mm)
110	.110 × .020 "	2.8 × 0.5
	.110 × .032 "	2.8 × 0.8
187	.187 × .020 "	4.75 × 0.5
	.187 × .032 "	4.75 × 0.8
205	.205 × .020 "	5.2 × 0.5
	.205 × .032 "	5.2 × 0.8
250	.250 × .032 "	6.35 × 0.8
312	.312 × .032 "	8.0 × 0.8
375	.375 × .047 "	9.4 × 1.2



**stud size chart**

Note: The charts shows standard size just for consulting, specified dimensions ]subject to stud size and hole size.







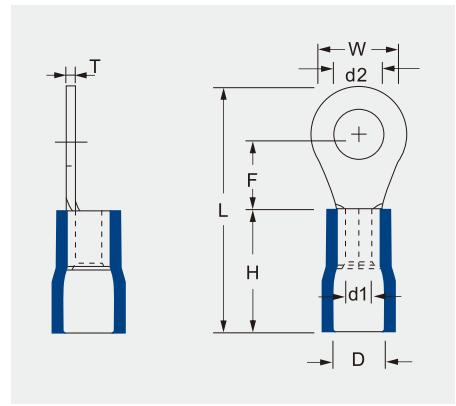
## PVC / 尼龍 / 熱縮 絕緣端子

Vinyl / Nylon / Heat  
shrinkable-Insulated  
Copper Terminals



Vinyl-Insulated Ring Terminals

- Maximum electrical rating: 600 volts
- Maximum temperature: 75°C
- Terminals material : copper
- Plating: Tin plated
- Insulation material: vinyl (PVC)

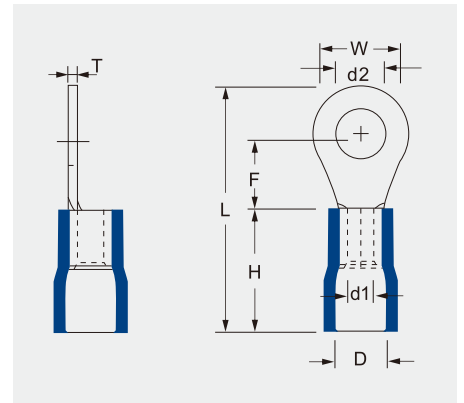


B

ITEM NO .	STUD SIZE		DIMENSION mm								PCS/ PACK	COLOR	EXPLANATION
	Metric	American	d2	W	F	L	H	d1	D	T			
RV1.25-3.2	3	#4	3.2	5.7	4.95	17.8	10.0	1.7	4.2	0.8	100	● Red	Wire range: 0.5-1.5mm <sup>2</sup> A. W. G.: (22-16) Max.current=19A
RV1.25-3.5S	3.5	#6	3.7										
RV1.25-3.5M	3.5	#6	3.7	6.6	6.3	19.6							
RV1.25-3.5L	3.5	#6	3.7	8.0	7.0	21.0							
RV1.25-4S	4	#8	4.3	6.6	6.3	19.6							
RV1.25-4L	4	#8	4.3	8.0	7.0	21.0							
RV1.25-5	5	#10	5.3										
RV1.25-5L	5	#10	5.3	9.5	7.5	22.3							
RV1.25-6	6	1/4 "	6.5	11.6	11.2	27.0							
RV1.25-8	8	5/16 "	8.5										
RV1.25-10	10	3/8 "	10.5	13.6	13.9	30.7							
RV1.25-12	12	1/2 "	13.0	19.2	16.0	35.6							
RV2-3.2	3	#4	3.2	6.6	6.4	19.7	10.0	2.3	4.7	0.8	100	● Blue	Wire range : 1.5-2.5mm <sup>2</sup> A. W. G. : (16-14) Max.current=27A
RV2-3.5	3.5	#6	3.7										
RV2-3.5M	3.5	#6	3.7	6.6	7.9	21.2							
RV2-3.5L	3.5	#6	3.7	8.5	7.75	22.0							
RV2-4S	4	#8	4.3	6.6	7.9	21.2							
RV2-4L	4	#8	4.3	8.5	7.75	22.0							
RV2-5S	5	#10	5.3										
RV2-5L	5	#10	5.3	9.5	7.5	22.3							
RV2-6	6	1/4 "	6.5	12.0	11.0	27.0							
RV2-8	8	5/16 "	8.5	12.0	11.0	27.0							
RV2-10	10	3/8 "	10.5	13.6	13.9	30.7							
RV2-12	12	1/2 "	13.0	19.2	16.0	35.6							
RV3.5-4	4	#8	4.3	8.0	7.7	24.7	13.0	2.9	6.2	1.0	100	● Black	Wire range : 2.5-4mm <sup>2</sup> A. W. G. : (14-12) Max.current=37A
RV3.5-5S	5	#10	5.3										
RV3.5-6	6	1/4 "	6.5	12.0	9.4	28.4							
RV3.5-8	8	5/16 "	8.5	15.0	13.5	34.0							

Vinyl-Insulated Ring Terminals

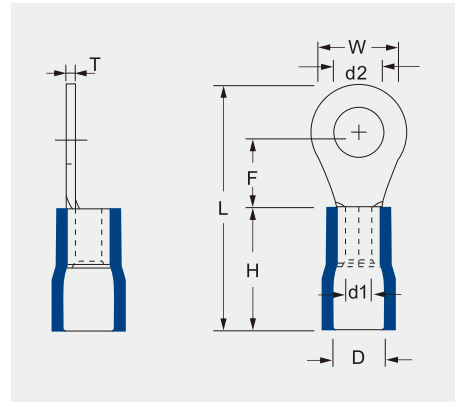
- Maximum electrical rating: 600 volts
- Maximum temperature: 75°C
- Terminals material : copper
- Plating: Tin plated
- Insulation material: vinyl (PVC)



ITEM NO .	STUD SIZE		DIMENSION mm								PCS/ PACK	COLOR	EXPLANATION			
	Metric	American	d2	W	F	L	H	d1	D	T						
RV5.5-3.5	3.5	#6	3.7	7.2	5.9	22.5	13.0	3.4	6.5	1.0	100	● Yellow	Wire range : 4-6mm <sup>2</sup> A. W. G. : (12-10) Max.current=48A			
RV5.5-4S	4	#8	4.3													
RV5.5-4L	4	#8	4.3	9.5	8.85	26.6										
RV5.5-5	5	#10	5.3													
RV5.5-6	6	1/4 "	6.5	15.0	13.5	34.0										
RV5.5-8	8	5/16 "	8.5													
RV5.5-10	10	3/8 "	10.5	19.2	16.0	38.6										
RV5.5-12	12	1/2 "	13.0													
RV8-4S	4.0	#8	4.3	8	9.3	29.3	16.0	4.5	8.0	1.2	100	● Red	Wire range : 6-10mm <sup>2</sup> A. W. G. : (8) Max.current=62A			
RV8-5S	5.0	#10	5.3	8.8	9.3	29.7										
RV8-5M	5.0	#10	5.3	12.0	9.3	31.3										
RV8-5L	5.0	#10	5.3	15.0	13.8	37.3										
RV8-6S	6.0	1/4 "	6.5	12.0	9.3	31.3										
RV8-8	8	5/16 "	8.5	15.0	11.1	37.3										
RV8-10	10	3/8 "	10.5													
RV8-12	12	1/2 "	13.0	20.0	15.0	41.0										
RV14-4	4	#8	4.3	12.0	13.3	40.8	21.5	5.4	11.0	1.4	50	● Blue	Wire range : 10-16mm <sup>2</sup> A. W. G. : (6) Max.current=88A			
RV14-5	5	#10	5.3													
RV14-6S	6	1/4 "	6.5													
RV14-8	8	5/16 "	8.5											16.0	14.5	43.5
RV14-10	10	3/8 "	10.5													
RV14-12	12	1/2 "	13.0	22.0	19.5	52.0										
RV22-5S	5	#10	5.3	12.2	15.1	44.7	23.5	7.7	13.0	1.6	50	● Yellow	Wire range : 16-25mm <sup>2</sup> A. W. G. : (4) Max.current=115A			
RV22-6S	6	1/4 "	6.5													
RV22-8	8	5/16 "	8.5											16.5	13.5	45.2
RV22-10	10	3/8 "	10.5													
RV22-12	12	1/2 "	13.0											22.0	19.5	54.0
RV38-5	5	#10	5.3	15.3	17.4	52.0	27.0	9.4	14.5	1.7	20	● Red	Wire range : 35mm <sup>2</sup> A. W. G. : (2) Max.current=160A			
RV38-6	6	1/4 "	6.5													
RV38-8S	8	5/16 "	8.5													
RV38-10S	10	3/8 "	10.5											15.3	17.4	52.0
RV38-12	12	1/2 "	13.0											22.0	17.7	55.7

Vinyl-Insulated Ring Terminals  
**Easy Entry**

- Maximum electrical rating: 600 volts
- Maximum temperature: 75°C
- Terminals material : copper
- Plating: Tin plated
- Insulation material: easy entry vinyl

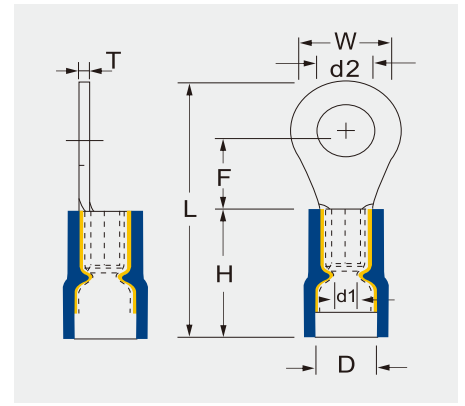


B

ITEM NO .	STUD SIZE		DIMENSION mm								PCS/ PACK	COLOR	EXPLANATION
	Metric	American	d2	W	F	L	H	d1	D	T			
ERV1.25-3.2	3	#4	3.2	5.7	4.95	17.8	10.0	1.7	4.2	0.8	100	● Red	Wire range: 0.5-1.5mm <sup>2</sup> A. W. G.: (22-16) Max.current=19A
ERV1.25-3.5S	3.5	#6	3.7										
ERV1.25-3.5M	3.5	#6	3.7	6.6	6.3	19.6							
ERV1.25-3.5L	3.5	#6	3.7	8.0	7.0	21.0							
ERV1.25-4S	4	#8	4.3	6.6	6.3	19.6							
ERV1.25-4L	4	#8	4.3	8.0	7.0	21.0							
ERV1.25-5	5	#10	5.3	8.0	7.0	21.0							
ERV1.25-5L	5	#10	5.3	9.5	7.5	22.3							
ERV1.25-6	6	1/4 "	6.5	11.6	11.2	27.0							
ERV1.25-8	8	5/16 "	8.5	11.6	11.2	27.0							
ERV1.25-10	10	3/8 "	10.5	13.6	13.9	30.7							
ERV1.25-12	12	1/2 "	13.0	19.2	16.0	35.6							
ERV2-3.2	3	#4	3.2	6.6	6.4	19.7	10.0	2.3	4.7	0.8	100	● Blue	Wire range : 1.5-2.5mm <sup>2</sup> A. W. G. : (16-14) Max.current=27A
ERV2-3.5	3.5	#6	3.7										
ERV2-3.5M	3.5	#6	3.7	6.6	7.9	21.2							
ERV2-3.5L	3.5	#6	3.7	8.5	7.75	22.0							
ERV2-4S	4	#8	4.3	6.6	7.9	21.2							
ERV2-4L	4	#8	4.3	8.5	7.75	22.0							
ERV2-5S	5	#10	5.3	8.5	7.75	22.0							
ERV2-5L	5	#10	5.3	9.5	7.5	22.3							
ERV2-6	6	1/4 "	6.5	12.0	11.0	27.0							
ERV2-8	8	5/16 "	8.5	12.0	11.0	27.0							
ERV2-10	10	3/8 "	10.5	13.6	13.9	30.7							
ERV2-12	12	1/2 "	13.0	19.2	16.0	35.6							
ERV5.5-3.5	3.5	#6	3.7	7.2	5.9	22.5	13.0	3.4	6.5	1.0	100	● Yellow	Wire range : 4-6mm <sup>2</sup> A. W. G. : (12-10) Max.current=48A
ERV5.5-4S	4	#8	4.3										
ERV5.5-4L	4	#8	4.3	9.5	8.85	26.6							
ERV5.5-5	5	#10	5.3	9.5	8.85	26.6							
ERV5.5-6	6	1/4 "	6.5	12.0	10.5	29.5							
ERV5.5-8	8	5/16 "	8.5	15.0	13.5	34.0							
ERV5.5-10	10	3/8 "	10.5	15.0	13.5	34.0							
ERV5.5-12	12	1/2 "	13.0	19.2	16.0	38.6							

Vinyl-Insulated Ring Terminals  
**Double Crimp**

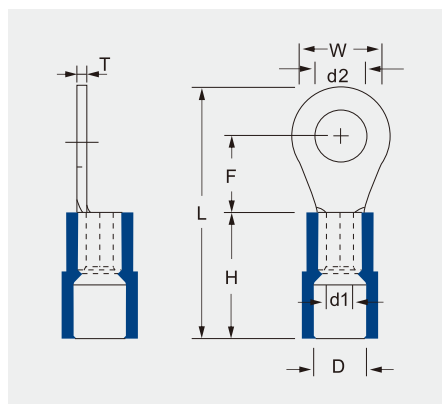
- Maximum electrical rating: 600 volts
- Maximum temperature: 75°C
- Terminals material : copper
- Plating: Tin plated
- Insulation material: vinyl (PVC)
- Double crimp: with copper sleeve on barrel



ITEM NO .	STUD SIZE		DIMENSION mm								PCS/ PACK	COLOR	EXPLANATION
	Metric	American	d2	W	F	L	H	d1	D	T			
RV1.25-3.2D	3	#4	3.2	5.7	4.95	17.8	10.0	1.7	4.5	0.8	100	● Red	Wire range : 0.5-1.5mm <sup>2</sup> A. W. G. : (22-16) Max.current=19A
RV1.25-3.5SD	3.5	#6	3.7										
RV1.25-3.5MD	3.5	#6	3.7	6.6	6.3	19.6							
RV1.25-3.5LD	3.5	#6	3.7	8.0	7.0	21.0							
RV1.25-4SD	4	#8	4.3	6.6	6.3	19.6							
RV1.25-4LD	4	#8	4.3	8.0	7.0	21.0							
RV1.25-5D	5	#10	5.3	8.0	7.0	21.0							
RV1.25-5LD	5	#10	5.3	9.5	7.5	22.3							
RV1.25-6D	6	1/4 "	6.5	11.6	11.2	27.0							
RV1.25-8D	8	5/16 "	8.5	13.6	13.9	30.7							
RV1.25-10D	10	3/8 "	10.5	19.2	16.0	35.6							
RV1.25-12D	12	1/2 "	13.0	19.2	16.0	35.6							
RV2-3.2D	3	#4	3.2	6.6	6.4	19.7	10.0	2.3	5.0	0.8	100	● Blue	Wire range : 1.5-2.5mm <sup>2</sup> A. W. G. : (16-14) Max.current=27A
RV2-3.5SD	3.5	#6	3.7										
RV2-3.5MD	3.5	#6	3.7	6.6	7.9	21.2							
RV2-3.5LD	3.5	#6	3.7	8.5	7.75	22.0							
RV2-4SD	4	#8	4.3	6.6	7.9	21.2							
RV2-4LD	4	#8	4.3	8.5	7.75	22.0							
RV2-5SD	5	#10	5.3	8.5	7.75	22.0							
RV2-5LD	5	#10	5.3	9.5	7.5	22.3							
RV2-6D	6	1/4 "	6.5	12.0	11.0	27.0							
RV2-8D	8	5/16 "	8.5	12.0	11.0	27.0							
RV2-10D	10	3/8 "	10.5	13.6	13.9	30.7							
RV2-12D	12	1/2 "	13.0	19.2	16.0	35.6							
RV5.5-3.5D	3.5	#6	3.7	7.2	5.9	22.5	13.0	3.4	6.7	1.0	100	● Yellow	Wire range : 4-6mm <sup>2</sup> A. W. G. : (12-10) Max.current=48A
RV5.5-4SD	4	#8	4.3										
RV5.5-4LD	4	#8	4.3	9.5	8.85	26.6							
RV5.5-5D	5	#10	5.3	12.0	10.5	29.5							
RV5.5-6D	6	1/4 "	6.5	15.0	13.5	34.0							
RV5.5-8D	8	5/16 "	8.5	19.2	16.0	38.6							
RV5.5-10D	10	3/8 "	10.5	19.2	16.0	38.6							
RV5.5-12D	12	1/2 "	13.0	19.2	16.0	38.6							

### Nylon-Insulated Ring Terminals

- Maximum electrical rating: 600 volts
- Maximum temperature: 105°C
- Terminals material : copper
- Plating: Tin plated
- Insulation material: easy entry nylon

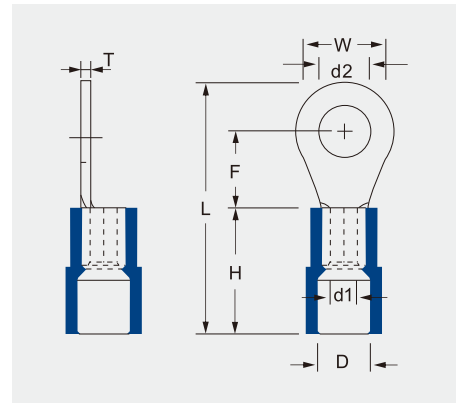


B

ITEM NO .	STUD SIZE		DIMENSION mm								PCS/ PACK	COLOR	EXPLANATION
	Metric	American	d2	W	F	L	H	d1	D	T			
RNY1.25-3.2	3	#4	3.2	5.7	4.95	18.8	11.0	1.7	4.3	0.8	100	● Red	Wire range : 0.5-1.5mm <sup>2</sup> A. W. G. : (22-16) Max.current=19A
RNY1.25-3.5S	3.5	#6	3.7										
RNY1.25-3.5M	3.5	#6	3.7	6.6	6.3	20.6							
RNY1.25-3.5L	3.5	#6	3.7	8.0	7.0	22.0							
RNY1.25-4S	4	#8	4.3	6.6	6.3	20.6							
RNY1.25-4L	4	#8	4.3	8.0	7.0	22.0							
RNY1.25-5	5	#10	5.3										
RNY1.25-5L	5	#10	5.3	9.5	7.5	23.3							
RNY1.25-6	6	1/4 "	6.5	11.6	11.2	28.0							
RNY1.25-8	8	5/16 "	8.5										
RNY1.25-10	10	3/8 "	10.5	13.6	13.9	31.7							
RNY1.25-12	12	1/2 "	13.0	19.2	16.0	36.6							
RNY2-3.2	3	#4	3.2	6.6	6.4	20.7	11.0	2.3	4.8	0.8	100	● Blue	Wire range : 1.5-2.5mm <sup>2</sup> A. W. G. : (16-14) Max.current=27A
RNY2-3.5	3.5	#6	3.7										
RNY2-3.5M	3.5	#6	3.7	6.6	7.9	22.2							
RNY2-3.5L	3.5	#6	3.7	8.5	7.75	23.0							
RNY2-4S	4	#8	4.3	6.6	7.9	22.2							
RNY2-4L	4	#8	4.3	8.5	7.75	23.0							
RNY2-5S	5	#10	5.3										
RNY2-5L	5	#10	5.3	9.5	7.5	23.3							
RNY2-6	6	1/4 "	6.5	12.0	11.0	28.0							
RNY2-8	8	5/16 "	8.5	12.0	11.0	28.0							
RNY2-10	10	3/8 "	10.5	13.6	13.9	31.7							
RNY2-12	12	1/2 "	13.0	19.2	16.0	36.6							

Nylon-Insulated Ring Terminals

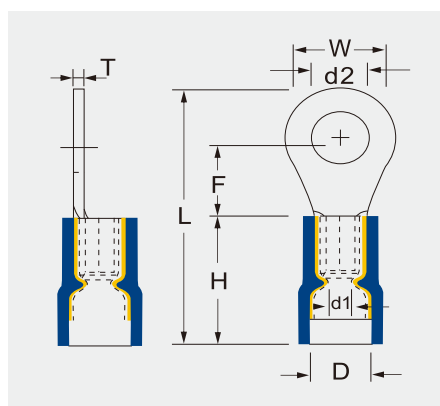
- Maximum electrical rating: 600 volts
- Maximum temperature: 105°C
- Terminals material : copper
- Plating: Tin plated
- Insulation material: easy entry nylon



ITEM NO .	STUD SIZE		DIMENSION mm								PCS/ PACK	COLOR	EXPLANATION							
	Metric	American	d2	W	F	L	H	d1	D	T										
RNY5.5-3.5	3.5	#6	3.7	7.2	5.9	22.5	13.0	3.4	6.7	1.0	100	● Yellow	Wire range : 4-6mm <sup>2</sup> A. W. G. : (12-10) Max.current=48A							
RNY5.5-4S	4	#8	4.3																	
RNY5.5-4L	4	#8	4.3																	
RNY5.5-5	5	#10	5.3	9.5	8.85	26.6														
RNY5.5-6	6	1/4 "	6.5	12.0	10.5	29.5														
RNY5.5-8	8	5/16 "	8.5	15.0	13.5	34.0														
RNY5.5-10	10	3/8 "	10.5	19.2	16.0	38.6														
RNY5.5-12	12	1/2 "	13.0	19.2	16.0	38.6														
RNYB8-4S	4.0	#8	4.3	8	9.3	29.3								16.0	4.5	8.0	1.2	100	● Red	Wire range : 6-10mm <sup>2</sup> A. W. G. : (8) Max.current=62A
RNYB8-5S	5.0	#10	5.3	8.8	9.3	29.7														
RNYB8-5M	5.0	#10	5.3	12.0	9.3	31.3														
RNYB8-5L	5.0	#10	5.3	15.0	13.8	37.3														
RNYB8-6S	6.0	1/4 "	6.5	12.0	9.3	31.3														
RNYB8-8	8	5/16 "	8.5	15.0	11.1	37.3														
RNYB8-10	10	3/8 "	10.5	20.0	15.0	41.0														
RNYB8-12	12	1/2 "	13.0	20.0	15.0	41.0														
RNYB14-4	4	#8	4.3	12.0	13.3	40.8	21.5	5.4	11.0	1.4	50	● Blue	Wire range : 10-16mm <sup>2</sup> A. W. G. : (6) Max.current=88A							
RNYB14-5	5	#10	5.3																	
RNYB14-6S	6	1/4 "	6.5																	
RNYB14-8	8	5/16 "	8.5											16.0	14.5	43.5				
RNYB14-10	10	3/8 "	10.5											22.0	19.5	52.0				
RNYB22-5S	5	#10	5.3	12.2	15.1	44.7								23.5	7.7	13.0	1.6	50	● Yellow	Wire range : 16-25mm <sup>2</sup> A. W. G. : (4) Max.current=115A
RNYB22-6S	6	1/4 "	6.5	12.2	15.1	44.7														
RNYB22-8	8	5/16 "	8.5	16.5	13.5	45.2														
RNYB22-10	10	3/8 "	10.5	22.0	19.5	54.0														
RNYB22-12	12	1/2 "	13.0	22.0	19.5	54.0														
RNYB38-5	5	#10	5.3	15.3	17.4	52.0	27.0	9.4	14.5	1.7	20	● Red	Wire range : 35mm <sup>2</sup> A. W. G. : (2) Max.current=160A							
RNYB38-6	6	1/4 "	6.5																	
RNYB38-8S	8	5/16 "	8.5																	
RNYB38-10S	10	3/8 "	10.5											15.3	17.4	52.0				
RNYB38-12	12	1/2 "	13.0											22.0	17.7	55.7				

### Nylon-Insulated Ring Terminals Double Crimp

- Maximum electrical rating: 600 volts
- Maximum temperature: 105°C
- Terminals material : copper
- Plating: Tin plated
- Insulation material: easy entry nylon



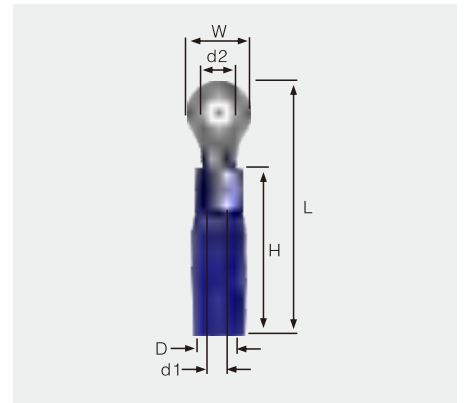
B

ITEM NO .	STUD SIZE		DIMENSION mm								PCS/ PACK	COLOR	EXPLANATION
	Metric	American	d2	W	F	L	H	d1	D	T			
RNY1.25-3.2D	3	#4	3.2	5.7	4.95	18.8	11.0	1.7	4.3	0.8	100	● Red	Wire range : 0.5-1.5mm <sup>2</sup> A. W. G. : (22-16) Max.current=19A
RNY1.25-3.5SD	3.5	#6	3.7										
RNY1.25-3.5MD	3.5	#6	3.7	6.6	6.3	20.6							
RNY1.25-3.5LD	3.5	#6	3.7	8.0	7.0	22.0							
RNY1.25-4SD	4	#8	4.3	6.6	6.3	20.6							
RNY1.25-4LD	4	#8	4.3	8.0	7.0	22.0							
RNY1.25-5D	5	#10	5.3	9.5	7.5	23.3							
RNY1.25-5LD	5	#10	5.3	11.6	11.2	28.0							
RNY1.25-6D	6	1/4 "	6.5	13.6	13.9	31.7							
RNY1.25-8D	8	5/16 "	8.5	19.2	16.0	36.6							
RNY1.25-10D	10	3/8 "	10.5	13.6	13.9	31.7							
RNY1.25-12D	12	1/2 "	13.0	19.2	16.0	36.6							
RNY2-3.2D	3	#4	3.2	6.6	6.4	20.7	11.0	2.3	4.8	0.8	100	● Blue	Wire range : 1.5-2.5mm <sup>2</sup> A. W. G. : (16-14) Max.current=27A
RNY2-3.5D	3.5	#6	3.7										
RNY2-3.5MD	3.5	#6	3.7	6.6	7.9	22.2							
RNY2-3.5LD	3.5	#6	3.7	8.5	7.75	23.0							
RNY2-4SD	4	#8	4.3	6.6	7.9	22.2							
RNY2-4LD	4	#8	4.3	8.5	7.75	23.0							
RNY2-5SD	5	#10	5.3	9.5	7.5	23.3							
RNY2-5LD	5	#10	5.3	12.0	11.0	28.0							
RNY2-6D	6	1/4 "	6.5	12.0	11.0	28.0							
RNY2-8D	8	5/16 "	8.5	13.6	13.9	31.7							
RNY2-10D	10	3/8 "	10.5	19.2	16.0	36.6							
RNY2-12D	12	1/2 "	13.0	19.2	16.0	36.6							
RNY5.5-3.5D	3.5	#6	3.7	7.2	5.9	22.5	13.0	3.4	6.7	1.0	100	● Yellow	Wire range : 4-6mm <sup>2</sup> A. W. G. : (12-10) Max.current=48A
RNY5.5-4SD	4	#8	4.3										
RNY5.5-4LD	4	#8	4.3	9.5	8.85	26.6							
RNY5.5-5D	5	#10	5.3	15.0	13.5	34.0							
RNY5.5-6D	6	1/4 "	6.5	19.2	16.0	38.6							
RNY5.5-8D	8	5/16 "	8.5	19.2	16.0	38.6							
RNY5.5-10D	10	3/8 "	10.5	19.2	16.0	38.6							
RNY5.5-12D	12	1/2 "	13.0	19.2	16.0	38.6							



### Insulated Heat Shrinkable Ring Terminals

- Maximum Electrical Rating : 600 Volts
- Shrink Temp 150 °C  
Operating Temp -10°C~105°C
- Terminal Material: Copper
- Brazed Seam
- Plating: Electro Tin Plated
- Insulated Material : Heat Shrinkable Tube



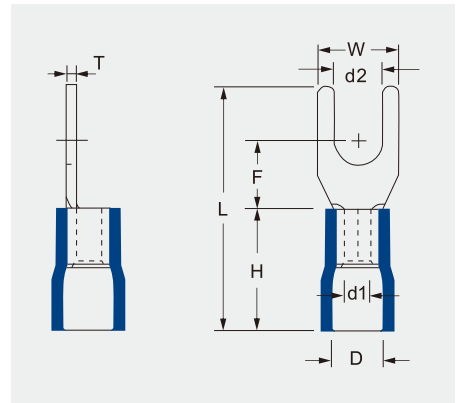
B



ITEM NO .	STUD SIZE		DIMENSION mm							PCS/ PACK	COLOR	EXPLANATION	
	Metric	American	d2	W	L	H	d1	D	T				
HRV1.25-4S	4	#8	4.3	6.6	26	18.5	1.7	4.5	0.8	100	● Red	Wire range : 0.5-1.5mm <sup>2</sup> A. W. G. : (22-16) Max.current=19A	
HRV1.25-4L	4	#8	4.3	8.0									
HRV1.25-5	5	#10	5.3	9.5	31.5								
HRV1.25-5L	5	#10	5.3										
HRV1.25-6	6	1/4 "	6.5	11.6	20.5	2.3	5.5	0.8	100	● Blue			
HRV1.25-8	8	5/16 "	8.5	12.0									
HRV1.25-10	10	3/8 "	10.5	13.6	37.2								
HRV1.25-12	12	1/2 "	13.0	19.2	40.2								
HRV2-4S	4	#8	4.3	6.6	28.5	23.5	3.4	6.5	1.0	100	● Yellow		Wire range : 1.5-2.5mm <sup>2</sup> A. W. G. : (16-14) Max.current=27A
HRV2-4L	4	#8	4.3	8.5									
HRV2-5S	5	#10	5.3	9.5	33								
HRV2-5L	5	#10	5.3	9.5									
HRV2-6	6	1/4 "	6.5	12.0	41								
HRV2-8	8	5/16 "	8.5	12.0									
HRV2-10	10	3/8 "	10.5	13.6	45.5								
HRV2-12	12	1/2 "	13.0	19.2	45.5								
HRV5.5-4L	4	#8	4.3	9.5	33	23.5	3.4	6.5	1.0	100	● Yellow	Wire range : 4-6mm <sup>2</sup> A. W. G. : (12-10) Max.current=48A	
HRV5.5-5	5	#10	5.3	9.5									
HRV5.5-6	6	1/4 "	6.5	12.0	41								
HRV5.5-8	8	5/16 "	8.5	12.0									
HRV5.5-10	10	3/8 "	10.5	15.0	45.5								
HRV5.5-12	12	1/2 "	13.0	19.2									

Vinyl-Insulated Spade Terminals

- Maximum electrical rating: 600 volts
- Maximum temperature: 75°C
- Terminals material : copper
- Plating: Tin plated
- Insulation material: vinyl (PVC)

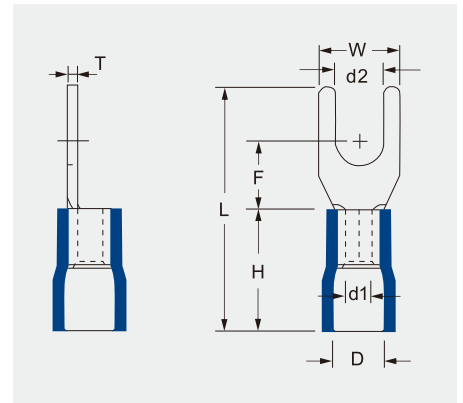


B

ITEM NO .	STUD SIZE		DIMENSION mm								PCS/ PACK	COLOR	EXPLANATION											
	Metric	American	d2	W	F	L	H	d1	D	T														
SV1.25-3.2	3	#4	3.2	5.7	6.5	21.2	10.0	1.7	4.2	0.8	100	● Red	Wire range : 0.5-1.5mm <sup>2</sup> A. W. G. : (22-16) Max.current=19A											
SV1.25-3.5S	3.5	#6	3.7																					
SV1.25-3.5L	3.5	#6	3.7	6.4																				
SV1.25-4S	4	#8	4.3	6.4																				
SV1.25-4M	4	#8	4.3	7.2																				
SV1.25-4L	4	#8	4.3	8.1																				
SV1.25-5S	5	#10	5.3	9.5																				
SV1.25-5L	5	#10	5.3																					
SV1.25-6S	6	1/4 "	6.5	12.0																				
SV1.25-6L	6	1/4 "	6.5											11.0	27.2									
SV1.25-8	8	5/16 "	8.5											13.5	11.5	26.7								
SV2-3.2	3	#4	3.2	5.7										6.5	21.2	10.0	2.3	4.7	0.8	100	● Blue	Wire range : 1.5-2.5mm <sup>2</sup> A. W. G. : (16-14) Max.current=27A		
SV2-3.5S	3.5	#6	3.7																					
SV2-3.5L	3.5	#6	3.7	6.0																				
SV2-4S	4	#8	4.3	6.4																				
SV2-4M	4	#8	4.3	7.2																				
SV2-4L	4	#8	4.3	8.1																				
SV2-5S	5	#10	5.3	9.5																				
SV2-5L	5	#10	5.3																					
SV2-6S	6	1/4 "	6.5	12.0																				
SV2-6L	6	1/4 "	6.5		11.0	27.2																		
SV2-8	8	5/16 "	8.5		13.5	11.5	27.0																	
SV3.5-3.5	3.5	#6	3.7	8.0	7.7	25.3	13.0	2.9	6.2	1.0	100	● Black	Wire range : 2.5-4mm <sup>2</sup> A. W. G. : (14-12) Max.current=37A											
SV3.5-4	4.0	#8	4.3																					
SV3.5-5	5.0	#10	5.3																					
SV3.5-6	6.0	1/4 "	6.5	12.0																			9.1	28.5
SV3.5-8	8	5/16 "	8.5	14																			11.5	30.7

Vinyl-Insulated Spade Terminals

- Maximum electrical rating: 600 volts
- Maximum temperature: 75°C
- Terminals material : copper
- Plating: Tin plated
- Insulation material: vinyl (PVC)

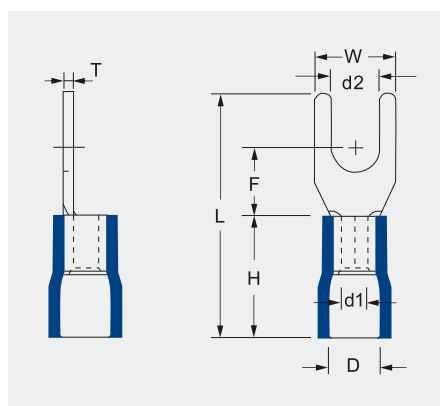


ITEM NO .	STUD SIZE		DIMENSION mm								PCS/ PACK	COLOR	EXPLANATION		
	Metric	American	d2	W	F	L	H	d1	D	T					
SV5.5-3.5	3.5	#6	3.7	8.3	7.0	25.5									
SV5.5-4S	4	#8	4.3	8.3											
SV5.5-4L	4	#8	4.3												
SV5.5-5	5	#10	5.3	9.0	7.0	25.5	13.0	3.4	6.5	1.0	100	● Yellow	Wire range : 4-6mm <sup>2</sup> A. W. G. : (12-10) Max.current=48A		
SV5.5-6S	6	1/4 "	6.5												
SV5.5-6L	6	1/4 "	6.5	12.0	12.0	31.7									
SV5.5-8	8	5/16 "	8.5	14.0	11.5	30.7									
SV8-4	4	#8	4.3	9.0	7.6										
SV8-5	5	#10	5.3	9.0	8.1	28.3									
SV8-6	6	1/4 "	6.5	12.0	9.2	31.3	16.0	4.5	8.0	1.2	100	● Red	Wire range : 6-10mm <sup>2</sup> A. W. G. : (8) Max.current=62A		
SV8-8	8	5/16 "	8.5	13.8											
SV8-10	10	3/8 "	10.5	15.9	10.7	32.9									
SV14-4	4	#8	4.3												
SV14-5	5	#10	5.3	9.0	9.5	36.5									
SV14-6	6	1/4 "	6.5	11.0			21.5	5.8	11.0	1.4	50	● Blue	Wire range : 10-16mm <sup>2</sup> A. W. G. : (6) Max.current=10-16A		
SV14-8	8	5/16 "	8.5	13.8											
SV14-10	10	3/8 "	10.5	15.9	10.7	39.5									
SV22-5	5	#10	5.3												
SV22-6	6	1/4 "	6.5	11.0	9.5	39.3	23.5	7.7	13.0	1.6	50	● Yellow	Wire range : 16-25mm <sup>2</sup> A. W. G. : (4) Max.current=16-25A		
SV22-8	8	5/16 "	8.5	16.5	13.5	45.0									

## Vinyl-Insulated Spade Terminals

### Easy Entry

- Maximum electrical rating: 600 volts
- Maximum temperature: 75°C
- Terminals material : copper
- Plating: Tin plated
- Insulation material: easy entry vinyl

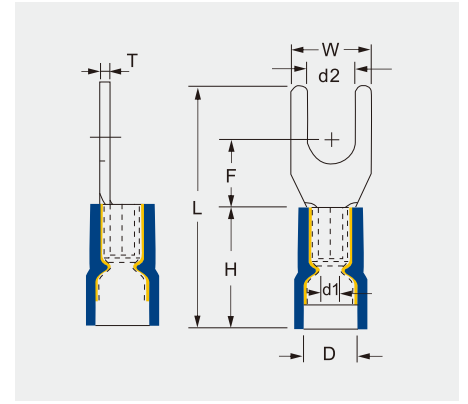


B

ITEM NO .	STUD SIZE		DIMENSION mm								PCS/ PACK	COLOR	EXPLANATION		
	Metric	American	d2	W	F	L	H	d1	D	T					
ESV1.25-3.2	3	#4	3.2	5.7	6.5	21.2	10.0	1.7	4.2	0.8	100	● Red	Wire range : 0.5-1.5mm <sup>2</sup> A. W. G. : (22-16) Max.current=19A		
ESV1.25-3.5S	3.5	#6	3.7												
ESV1.25-3.5L	3.5	#6	3.7	6.4											
ESV1.25-4S	4	#8	4.3	6.4											
ESV1.25-4M	4	#8	4.3	7.2											
ESV1.25-4L	4	#8	4.3	8.1											
ESV1.25-5S	5	#10	5.3	9.5											
ESV1.25-5L	5	#10	5.3												
ESV1.25-6S	6	1/4 "	6.5	12.0										11.0	27.2
ESV1.25-6L	6	1/4 "	6.5												
ESV1.25-8	8	5/16 "	8.5		13.5	11.5	26.7								
ESV2-3.2	3	#4	3.2	5.7	6.5	21.2	10.0	2.3	4.7	0.8	100	● Blue	Wire range : 1.5-2.5mm <sup>2</sup> A. W. G. : (16-14) Max.current=27A		
ESV2-3.5S	3.5	#6	3.7												
ESV2-3.5L	3.5	#6	3.7	6.0											
ESV2-4S	4	#8	4.3	6.4											
ESV2-4M	4	#8	4.3	7.2											
ESV2-4L	4	#8	4.3	8.1											
ESV2-5S	5	#10	5.3	9.5											
ESV2-5L	5	#10	5.3												
ESV2-6S	6	1/4 "	6.5	12.0										11.0	27.2
ESV2-6L	6	1/4 "	6.5												
ESV2-8	8	5/16 "	8.5		13.5	11.5	27.0								
ESV5.5-3.5	3.5	#6	3.7	8.3	7.0	25.5	13.0	3.4	6.5	1.0	100	● Yellow	Wire range : 4-6mm <sup>2</sup> A. W. G. : (12-10) Max.current=48A		
ESV5.5-4S	4	#8	4.3	8.3											
ESV5.5-4L	4	#8	4.3	9.0											
ESV5.5-5	5	#10	5.3												
ESV5.5-6S	6	1/4 "	6.5	12.0	12.0	31.7									
ESV5.5-6L	6	1/4 "	6.5												
ESV5.5-8	8	5/16 "	8.5											14.0	11.5

Vinyl-Insulated Spade Terminals  
**Double Crimp**

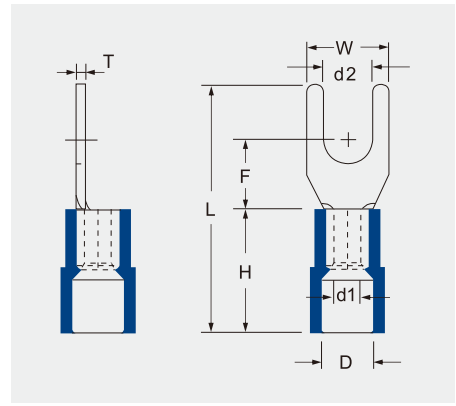
- Maximum electrical rating: 600 volts
- Maximum temperature: 75°C
- Terminals material : copper
- Plating: Tin plated
- Insulation material: vinyl (PVC)
- Double crimp: with copper sleeve on barrel



ITEM NO .	STUD SIZE		DIMENSION mm								PCS/ PACK	COLOR	EXPLANATION		
	Metric	American	d2	W	F	L	H	d1	D	T					
SV1.25-3.2D	3	#4	3.2	5.7	6.5	21.2	10.0	1.7	4.5	0.8	100	● Red	Wire range : 0.5-1.5mm <sup>2</sup> A. W. G. : (22-16) Max.current=19A		
SV1.25-3.5SD	3.5	#6	3.7												
SV1.25-3.5LD	3.5	#6	3.7	6.4											
SV1.25-4SD	4	#8	4.3	6.4											
SV1.25-4MD	4	#8	4.3	7.2											
SV1.25-5SD	5	#10	5.3	8.1											
SV1.25-5LD	5	#10	5.3	9.5											
SV1.25-6SD	6	1/4 "	6.5	12.0										11.0	27.2
SV1.25-6LD	6	1/4 "	6.5												
SV1.25-8D	8	5/16 "	8.5												
SV2-3.2D	3	#4	3.2	5.7	6.5	21.2	10.0	2.3	5.0	0.8	100	● Blue	Wire range : 1.5-2.5mm <sup>2</sup> A. W. G. : (16-14) Max.current=27A		
SV2-3.5SD	3.5	#6	3.7												
SV2-3.5LD	3.5	#6	3.7	6.0											
SV2-4SD	4	#8	4.3	6.4											
SV2-4MD	4	#8	4.3	7.2											
SV2-5SD	5	#10	5.3	8.1											
SV2-5LD	5	#10	5.3	9.5											
SV2-6SD	6	1/4 "	6.5	12.0										11.0	27.2
SV2-6LD	6	1/4 "	6.5												
SV2-8D	8	5/ 16 "	8.5	13.5										11.5	27.0
SV5.5-3.5D	3.5	#6	3.7	8.3	7.0	25.5	13.0	3.4	6.7	1.0	100	● Yellow	Wire range : 4-6mm <sup>2</sup> A. W. G. : (12-10) Max.current=48A		
SV5.5-4SD	4	#8	4.3	8.3											
SV5.5-4LD	4	#8	4.3	9.0											
SV5.5-5D	5	#10	5.3												
SV5.5-6SD	6	1/4 "	6.5												
SV5.5-6LD	6	1/4 "	6.5	12.0										12.0	31.7
SV5.5-8D	8	5/16 "	8.5	14.0										11.5	30.7

Nylon-Insulated Spade Terminals

- Maximum electrical rating: 600 volts
- Maximum temperature: 105°C
- Terminals material : copper
- Plating: Tin plated
- Insulation material: easy entry nylon

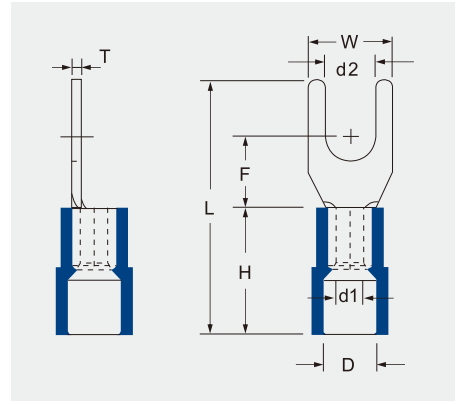


B

ITEM NO .	STUD SIZE		DIMENSION mm								PCS/ PACK	COLOR	EXPLANATION
	Metric	American	d2	W	F	L	H	d1	D	T			
SNY1.25-3.2	3	#4	3.2	5.7	6.5	22.2	11.0	1.7	4.3	0.8	100	● Red	Wire range : 0.5-1.5mm <sup>2</sup> A. W. G. : (22-16) Max.current=19A
SNY1.25-3.5S	3.5	#6	3.7										
SNY1.25-3.5L	3.5	#6	3.7	6.4									
SNY1.25-4S	4	#8	4.3	6.4									
SNY1.25-4M	4	#8	4.3	7.2									
SNY1.25-4L	4	#8	4.3	8.1									
SNY1.25-5S	5	#10	5.3	9.5									
SNY1.25-5L	5	#10	5.3										
SNY1.25-6S	6	1/4 "	6.5	12.0									
SNY1.25-6L	6	1/4 "	6.5										
SNY1.25-8	8	5/16 "	8.5		13.5	11.5	28.0						
SNY2-3.2	3	#4	3.2	5.7	6.5	22.2	11.0	2.3	4.8	0.8	100	● Blue	Wire range : 1.5-2.5mm <sup>2</sup> A. W. G. : (16-14) Max.current=27A
SNY2-3.5S	3.5	#6	3.7										
SNY2-3.5L	3.5	#6	3.7	6.0									
SNY2-4S	4	#8	4.3	6.4									
SNY2-4M	4	#8	4.3	7.2									
SNY2-4L	4	#8	4.3	8.1									
SNY2-5S	5	#10	5.3	9.5									
SNY2-5L	5	#10	5.3										
SNY2-6S	6	1/4 "	6.5	12.0									
SNY2-6L	6	1/4 "	6.5										
SNY2-8	8	5/16 "	8.5		13.5	11.5	28.0						

Nylon-Insulated Spade Terminals

- Maximum electrical rating: 600 volts
- Maximum temperature: 105°C
- Terminals material : copper
- Plating: Tin plated
- Insulation material: easy entry nylon

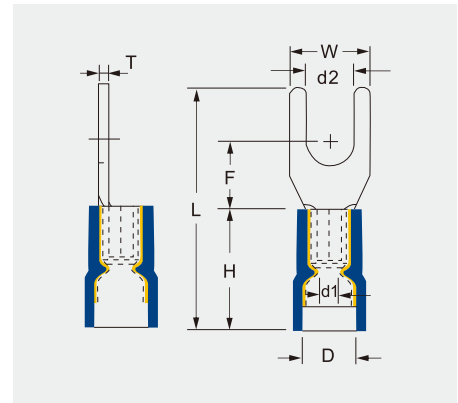


B

ITEM NO .	STUD SIZE		DIMENSION mm								PCS/ PACK	COLOR	EXPLANATION		
	Metric	American	d2	W	F	L	H	d1	D	T					
SNY5.5-3.5	3.5	#6	3.7	8.3	7.0	25.5									
SNY5.5-4S	4	#8	4.3	8.3	7.0	25.5									
SNY5.5-4L	4	#8	4.3												
SNY5.5-5	5	#10	5.3	9.0	7.0	25.5	13.0	3.4	6.7	1.0	100	● Yellow	Wire range : 4-6mm <sup>2</sup> A. W. G. : (12-10) Max.current=48A		
SNY5.5-6S	6	1/4 "	6.5												
SNY5.5-6L	6	1/4 "	6.5	12.0	12.0	31.7									
SNY5.5-8	8	5/16 "	8.5	14.0	11.5	30.7									
SNY8-4	4	#8	4.3	9.0	7.6	28.3									
SNY8-5	5	#10	5.3	9.0	8.1										
SNY8-6	6	1/4 "	6.5	12.0	9.2	31.3	16.0	4.5	8.0	1.2	100	● Red	Wire range : 6-10mm <sup>2</sup> A. W. G. : (8) Max.current=62A		
SNY8-8	8	5/16 "	8.5	13.8		32.9									
SNY8-10	10	3/8 "	10.5	15.9	10.7										
SNY14-4	4	#8	4.3	9.0											
SNY14-5	5	#10	5.3		9.5	36.5									
SNY14-6	6	1/4 "	6.5	11.0			21.5	5.8	11.0	1.4	50	● Blue	Wire range : 10-16mm <sup>2</sup> A. W. G. : (6) Max.current=10-16A		
SNY14-8	8	5/16 "	8.5	13.8	10.7	39.5									
SNY14-10	10	3/8 "	10.5	15.9											
SNY22-5	5	#10	5.3		9.5	39.3									
SNY22-6	6	1/4 "	6.5	11.0			23.5	7.7	13.0	1.6	50	● Yellow	Wire range : 16-25mm <sup>2</sup> A. W. G. : (4) Max.current=16-25A		
SNY22-8	8	5/16 "	8.5	16.5	13.5	45.0									

Nylon-Insulated Spade Terminals  
**Double Crimp**

- Maximum electrical rating: 600 volts
- Maximum temperature: 105°C
- Terminals material : copper
- Plating: Tin plated
- Insulation material: easy entry nylon



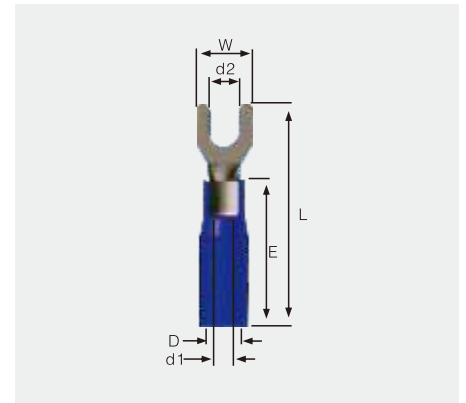
B

ITEM NO .	STUD SIZE		DIMENSION mm									PCS/ PACK	COLOR	EXPLANATION					
	Metric	American	d2	W	F	L	H	d1	D	T									
SNY1.25-3.2D	3	#4	3.2	5.7	6.5	22.2	11.0	1.7	4.3	0.8	100	Red	Wire range : 0.5-1.5mm <sup>2</sup> A. W. G. : (22-16) Max.current=19A						
SNY1.25-3.5SD	3.5	#6	3.7																
SNY1.25-3.5LD	3.5	#6	3.7	6.4															
SNY1.25-4SD	4	#8	4.3	6.4															
SNY1.25-4MD	4	#8	4.3	7.2															
SNY1.25-4LD	4	#8	4.3	8.1															
SNY1.25-5SD	5	#10	5.3	9.5															
SNY1.25-5LD	5	#10	5.3																
SNY1.25-6SD	6	1/4 "	6.5	12.0															
SNY1.25-6LD	6	1/4 "	6.5											11.0	28.2				
SNY1.25-8D	8	5/16 "	8.5		13.5	11.5	28.0												
SNY2-3.2D	3	#4	3.2	5.7	6.5	22.2	11.0	2.3	4.8	0.8	100	Blue	Wire range : 1.5-2.5mm <sup>2</sup> A. W. G. : (16-14) Max.current=27A						
SNY2-3.5SD	3.5	#6	3.7																
SNY2-3.5LD	3.5	#6	3.7	6.0															
SNY2-4SD	4	#8	4.3	6.4															
SNY2-4MD	4	#8	4.3	7.2															
SNY2-4LD	4	#8	4.3	8.1															
SNY2-5SD	5	#10	5.3	9.5															
SNY2-5LD	5	#10	5.3																
SNY2-6SD	6	1/4 "	6.5	12.0															
SNY2-6LD	6	1/4 "	6.5											11.0	28.2				
SNY2-8D	8	5/16 "	8.5		13.5	11.5	28.0												
SNY5.5-3.5D	3.5	#6	3.7	8.3	7.0	25.5	13.0	3.4	6.7	1.0	100	Yellow	Wire range : 4-6mm <sup>2</sup> A. W. G. : (12-10) Max.current=48A						
SNY5.5-4SD	4	#8	4.3											8.3	7.0	25.5			
SNY5.5-4LD	4	#8	4.3	9.0															
SNY5.5-5D	5	#10	5.3											7.0	25.5	13.0	3.4	6.7	1.0
SNY5.5-6SD	6	1/4 "	6.5											12.0					
SNY5.5-6LD	6	1/4 "	6.5	12.0											31.7				
SNY5.5-8D	8	5/16 "	8.5	14.0											11.5	30.7			



### Insulated Heat Shrinkable Spade Terminals

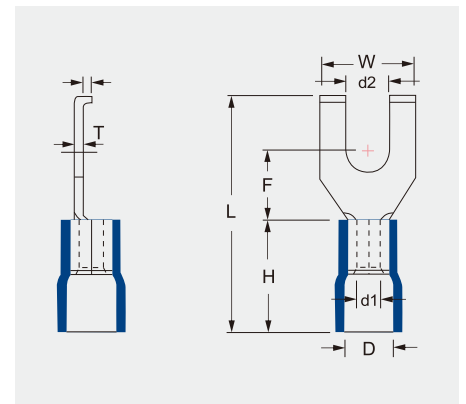
- Maximum Electrical Rating : 600 Volts
- Shrink Temp 150 °C
- Operating Temp -10°C~105°C
- Terminal Material: Copper
- Brazed Seam
- Plating: Electro Tin Plated
- Insulated Material : Heat Shrinkable Tube



ITEM NO .	STUD SIZE		DIMENSION mm							PCS/PACK	COLOR	EXPLANATION
	Metric	American	d2	W	L	H	d1	D	T			
S1-5SBH	5	#10	5.3	8.1	25.5	18.5	1.7	4.5	0.8	100	Red	Wire range : 0.5-1.5mm <sup>2</sup> A. W. G. : (22-16) Max.current=19A
S1-6SBH	6	1/4 "	6.5	9.5	29.5	18.5	1.7	4.5	0.8			
S2-4LBH	4	#8	4.3	8.1	27.5	20.5	2.3	5.5	0.8		Blue	Wire range : 1.5-2.5mm <sup>2</sup> A. W. G. : (16-14) Max.current=27A
S2-5LBH	5	#10	5.3	9.5	28.5	20.5	2.3	5.5	0.8			
S5-4LBH	4	#8	4.3	9.0	32.5	23.5	3.4	6.5	1.0		Yellow	Wire range : 4-6mm <sup>2</sup> A. W. G. : (12-10) Max.current=48A
S5-5BH	5	#10	5.3	9.0	32.5	23.5	3.4	6.5	1.0			
S5-6LBH	6	1/4 "	6.5	9.0	32.5	23.5	3.4	6.5	1.0			

### Vinyl-Insulated Flange Spade Terminals

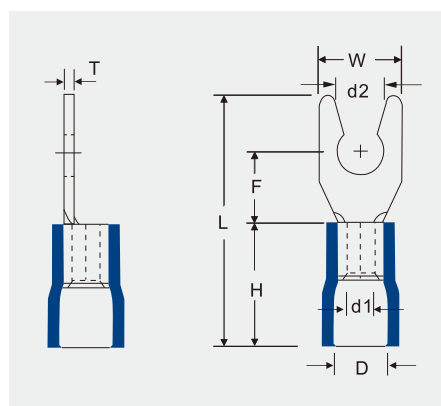
- Maximum electrical rating: 600 volts
- Maximum temperature: 75°C
- Terminals material : copper
- Plating: Tin plated
- Insulation material: vinyl (PVC)



ITEM NO .	STUD SIZE		DIMENSION mm								PCS/PACK	COLOR	EXPLANATION
	Metric	American	d2	W	F	L	H	d1	D	T			
FSV1.25-4	4	#8	4.3	7.5	5.1	19.5	10.0	1.7	4.2	0.8	100	Red	Wire range : 0.5-1.5mm <sup>2</sup> A. W. G. : (22-16) Max.current=19A
FSV1.25-5	5	#10	5.3										
FSV2-4	4	#8	4.3	7.5	5.2	20.2	10.0	2.3	4.7	0.8	100	Blue	Wire range : 1.5-2.5mm <sup>2</sup> A. W. G. : (16-14) Max.current=27A
FSV2-5	5	#10	5.3										
FSV5.5-4	4	#8	4.3	8.5	7.5	27.0	13.0	3.4	6.5	1.0	100	Yellow	Wire range : 4-6mm <sup>2</sup> A. W. G. : (12-10) Max.current=48A
FSV5.5-5	5	#10	5.3										

### Vinyl-Insulated Locking Spade Terminals

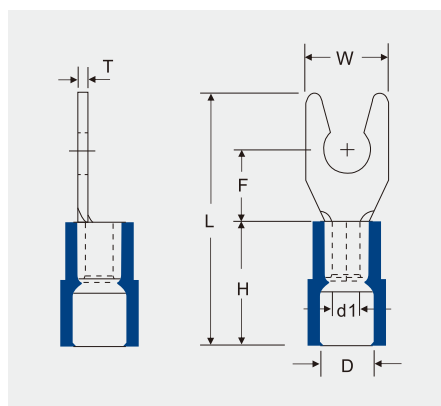
- Maximum electrical rating: 600 volts
- Maximum temperature: 75°C
- Terminals material : copper
- Plating: Tin plated
- Insulation material: vinyl (PVC)



ITEM NO .	STUD SIZE		DIMENSION mm								PCS/ PACK	COLOR	EXPLANATION
	Metric	American	d2	W	F	L	H	d1	D	T			
LSV1.25-4	4	#8	4.3	7.2	6.5	21.2	10.0	1.7	4.2	0.8	100	Red	Wire range : 0.5-1.5mm <sup>2</sup> A. W. G. : (22-16) Max.current=19A
LSV1.25-5S	5	#10	5.3	8.1									
LSV2-4	4	#8	4.3	7.2	6.5	21.2	10.0	2.3	4.7	0.8	100	Blue	Wire range : 1.5-2.5mm <sup>2</sup> A. W. G. : (16-14) Max.current=27A
LSV2-5S	5	#10	5.3	8.1									
LSV5.5-4	4	#8	4.3	8.3	7.0	25.5	13.0	3.4	6.5	1.0	100	Yellow	Wire range : 4-6mm <sup>2</sup> A. W. G. : (12-10) Max.current=48A
LSV5.5-5	5	#10	5.3	9.0									
LSV5.5-6	6	1/4 "	6.5	12.0	12.0	31.7							

### Nylon-Insulated Locking Spade Terminals

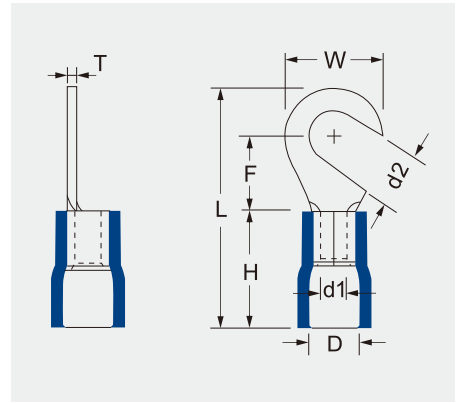
- Maximum electrical rating: 600 volts
- Maximum temperature: 105°C
- Terminals material : copper
- Plating: Tin plated
- Insulation material: easy entry nylon



ITEM NO .	STUD SIZE		DIMENSION mm								PCS/ PACK	COLOR	EXPLANATION
	Metric	American	d2	W	F	L	H	d1	D	T			
LSNY1.25-4S	4	#8	4.3	7.5	6.5	22.2	11.0	1.7	4.3	0.8	100	Red	Wire range : 0.5-1.5mm <sup>2</sup> A. W. G. : (22-16) Max.current=19A
LSNY1.25-5S	5	#10	5.3	8.1									
LSNY2-4	4	#8	4.3	7.2	6.5	22.2	11.0	2.3	4.8	0.8	100	Blue	Wire range : 1.5-2.5mm <sup>2</sup> A. W. G. : (16-14) Max.current=27A
LSNY2-5S	5	#10	5.3	8.1									
LSNY5.5-4	4	#8	4.3	8.3	7.0	25.5	13.0	3.4	6.7	1.0	100	Yellow	Wire range : 4-6mm <sup>2</sup> A. W. G. : (12-10) Max.current=48A
LSNY5.5-5	5	#10	5.3	9.0									
LSNY5.5-6	6	1/4 "	6.5	12.0	12.0	31.7							

Vinyl-Insulated Hook Terminals

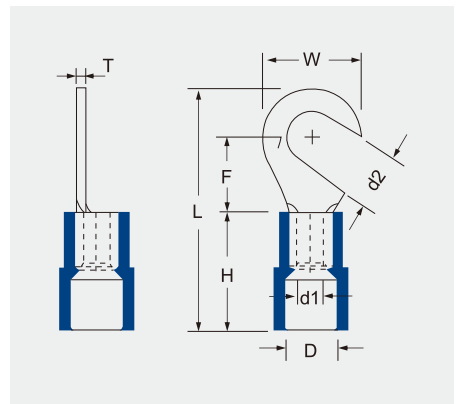
- Maximum electrical rating: 600 volts
- Maximum temperature: 75°C
- Terminals material : copper
- Plating: Tin plated
- Insulation material: vinyl (PVC)



ITEM NO .	STUD SIZE		DIMENSION mm								PCS/ PACK	COLOR	EXPLANATION
	Metric	American	d2	W	F	L	H	d1	D	T			
HV1.25-4	4	#8	4.3	8.0	7.0	21.0	10.0	1.7	4.2	0.8	100	● Red	Wire range : 0.5-1.5mm <sup>2</sup> A. W. G. : (22-16) Max.current=19A
HV1.25-5	5	#10	5.3										
HV1.25-6	6	1/4 "	6.5										
HV2-4	4	#8	4.3	8.5	7.75	22.0	10.0	2.3	4.7	0.8	100	● Blue	Wire range : 1.5-2.5mm <sup>2</sup> A. W. G. : (16-14) Max.current=27A
HV2-5	5	#10	5.3	9.5	7.5	22.3							
HV2-6	6	1/4 "	6.5	12.0	11.0	27.0							
HV5.5-4	4	#8	4.3	9.5	8.85	26.6	13.0	3.4	6.5	1.0	100	● Yellow	Wire range : 4-6mm <sup>2</sup> A. W. G. : (12-10) Max.current=48A
HV5.5-5	5	#10	5.3										
HV5.5-6	6	1/4 "	6.5										

Nylon-Insulated Hook Terminals

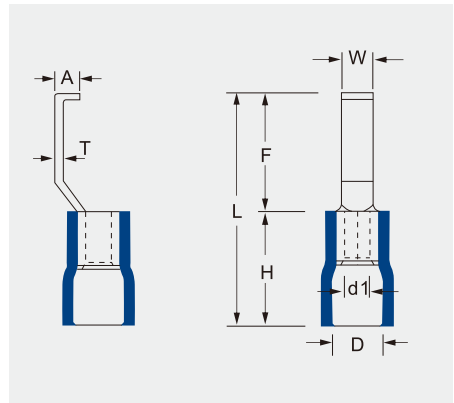
- Maximum electrical rating: 600 volts
- Maximum temperature: 105°C
- Terminals material : copper
- Plating: Tin plated
- Insulation material: easy entry nylon



ITEM NO .	STUD SIZE		DIMENSION mm								PCS/ PACK	COLOR	EXPLANATION
	Metric	American	d2	W	F	L	H	d1	D	T			
HNY1.25-4	4	#8	4.3	8.0	7.0	22.0	11.0	1.7	4.3	0.8	100	● Red	Wire range : 0.5-1.5mm <sup>2</sup> A. W. G. : (22-16) Max.current=19A
HNY1.25-5	5	#10	5.3										
HNY1.25-6	6	1/4 "	6.5										
HNY2-4	4	#8	4.3	8.5	7.75	23.0	11.0	2.3	4.8	0.8	100	● Blue	Wire range : 1.5-2.5mm <sup>2</sup> A. W. G. : (16-14) Max.current=27A
HNY2-5	5	#10	5.3	9.5	7.5	23.3							
HNY2-6	6	1/4 "	6.5	12.0	11.0	28.0							
HNY5.5-4	4	#8	4.3	9.5	8.85	26.6	13.0	3.4	6.7	1.0	100	● Yellow	Wire range : 4-6mm <sup>2</sup> A. W. G. : (12-10) Max.current=48A
HNY5.5-5	5	#10	5.3										
HNY5.5-6	6	1/4 "	6.5										

### Vinyl-Insulated Lipped Blade Terminals

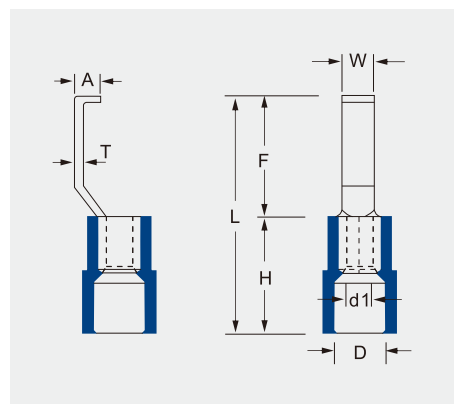
- Maximum electrical rating: 600 volts
- Maximum temperature: 75°C
- Terminals material : copper
- Plating: Tin plated
- Insulation material: vinyl (PVC)



ITEM NO .	DIMENSION mm								PCS/ PACK	COLOR	EXPLANATION
	W	F	L	H	d1	D	T	A			
LBV1.25-4.6	4.6	17.8	27.8	10.0	1.7	4.3	0.8	2.1	100	● Red	Wire range : 0.5-1.5mm <sup>2</sup> A. W. G. : (22-16) Max.current=19A
LBV2-4.6	4.6	17.8	27.8	10.0	2.3	4.8	0.8	2.1	100	● Blue	Wire range : 1.5-2.5mm <sup>2</sup> A. W. G. : (16-14) Max.current=27A
LBV5.5-4.6	4.6	18.2	31.2	13.0	3.4	6.7	1.0	2.75	100	● Yellow	Wire range : 4-6mm <sup>2</sup> A. W. G. : (12-10) Max.current=48A

### Nylon-Insulated Lipped Blade Terminals

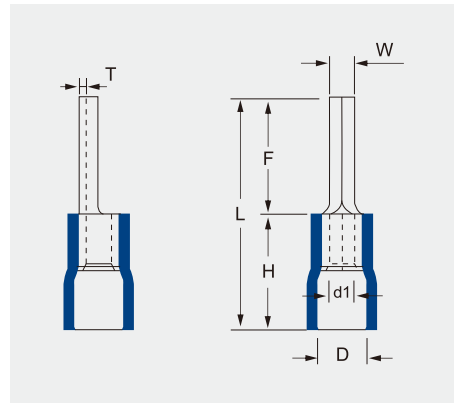
- Maximum electrical rating: 600 volts
- Maximum temperature: 105°C
- Terminals material : copper
- Plating: Tin plated
- Insulation material: easy entry nylon



ITEM NO .	DIMENSION mm								PCS/ PACK	COLOR	EXPLANATION
	W	F	L	H	d1	D	T	A			
LBNY1.25-4.6	4.6	17.8	27.8	11.0	1.7	4.3	0.8	2.1	100	● Red	Wire range : 0.5-1.5mm <sup>2</sup> A. W. G. : (22-16) Max.current=19A
LBNY2-4.6	4.6	17.8	27.8	11.0	2.3	4.8	0.8	2.1	100	● Blue	Wire range : 1.5-2.5mm <sup>2</sup> A. W. G. : (16-14) Max.current=27A
LBNY5.5-4.6	4.6	18.2	31.2	13.0	3.4	6.7	1.0	2.75	100	● Yellow	Wire range : 4-6mm <sup>2</sup> A. W. G. : (12-10) Max.current=48A

Vinyl-Insulated Pin Terminals

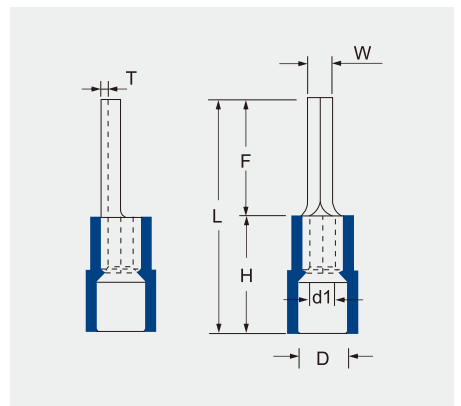
- Maximum electrical rating: 600 volts
- Maximum temperature: 75°C
- Terminals material : copper
- Plating: Tin plated
- Insulation material: vinyl (PVC)



ITEM NO .	DIMENSION mm							PCS/ PACK	COLOR	EXPLANATION
	W	F	L	H	d1	D	T			
PTV1.25-10	1.9	10.0	20.0	10.0	1.7	4.2	0.8	100	Red	Wire range : 0.5-1.5mm <sup>2</sup> A. W. G. : (22-16) Max.current=19A
PTV1.25-12		12.0	22.0							
PTV1.25-18		18.0	27.0							
PTV2-10	1.9	10.0	20.0	10.0	2.3	4.7	0.8	100	Blue	Wire range : 1.5-2.5mm <sup>2</sup> A. W. G. : (16-14) Max.current=27A
PTV2-12		12.0	22.0							
PTV2-18		18.0	27.0							
PTV5.5-13	2.8	13.0	26.0	13.0	3.4	6.5	1.0	100	Yellow	Wire range : 4-6mm <sup>2</sup> A. W. G. : (12-10) Max.current=48A

Nylon-Insulated Pin Terminals

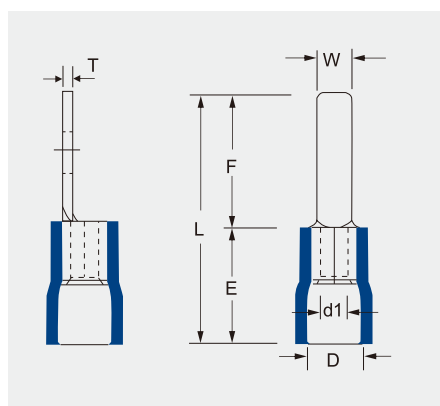
- Maximum electrical rating: 600 volts
- Maximum temperature: 105°C
- Terminals material : copper
- Plating: Tin plated
- Insulation material: easy entry nylon



ITEM NO .	DIMENSION mm							PCS/ PACK	COLOR	EXPLANATION
	W	F	L	H	d1	D	T			
PTNY1.25-10	1.9	10.0	21.0	11.0	1.7	4.3	0.8	100	Red	Wire range : 0.5-1.5mm <sup>2</sup> A. W. G. : (22-16) Max.current=19A
PTNY1.25-12		12.0	23.0							
PTNY1.25-18		18.0	28.0							
PTNY2-10	1.9	10.0	21.0	11.0	2.3	4.8	0.8	100	Blue	Wire range : 1.5-2.5mm <sup>2</sup> A. W. G. : (16-14) Max.current=27A
PTNY2-12		12.0	23.0							
PTNY2-18		18.0	28.0							
PTNY5.5-13	2.8	13.0	26.0	13.0	3.4	6.7	1.0	100	Yellow	Wire range : 4-6mm <sup>2</sup> A. W. G. : (12-10) Max.current=48A

### Vinyl-Insulated Blade Terminals

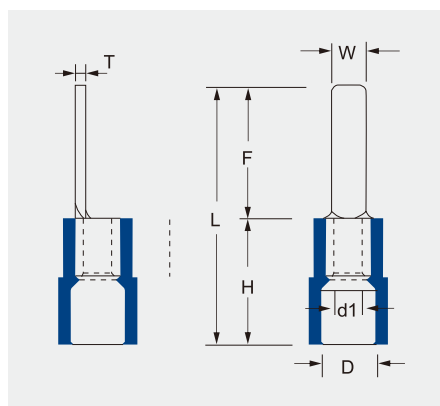
- Maximum electrical rating: 600 volts
- Maximum temperature: 75°C
- Terminals material : copper
- Plating: Tin plated
- Insulation material: vinyl (PVC)



ITEM NO .	DIMENSION mm							PCS/ PACK	COLOR	EXPLANATION
	W	F	L	H	d1	D	T			
DBV1.25-10	2.3	10.0	20.0	10.0	1.7	4.2	0.8	100	Red	Wire range : 0.5-1.5mm <sup>2</sup> A. W. G. : (22-16) Max.current=19A
DBV1.25-14	3.0	14.0	24.0							
DBV1.25-18	2.2	18.0	28.0							
DBV2-10	2.4	10.0	20.0	10.0	2.3	4.7	0.8	100	Blue	Wire range : 1.5-2.5mm <sup>2</sup> A. W. G. : (16-14) Max.current=27A
DBV2-14	2.4	14.0	24.0							
DBV2-18	2.2	18.0	28.0							
DBV5.5-10	2.8	10.0	23.0	13.0	3.4	6.5	1.0	100	Yellow	Wire range : 4-6mm <sup>2</sup> A. W. G. : (12-10) Max.current=48A
DBV5.5-14	4.5	14.0	27.0							
DBV5.5-18	4.5	18.0	31.0							

### Nylon-Insulated Blade Terminals

- Maximum electrical rating: 600 volts
- Maximum temperature: 105°C
- Terminals material : copper
- Plating: Tin plated
- Insulation material: easy entry nylon



ITEM NO .	DIMENSION mm							PCS/ PACK	COLOR	EXPLANATION
	W	F	L	H	d1	D	T			
DBNY1.25-10	2.3	10.0	21.0	11.0	1.7	4.3	0.8	100	Red	Wire range : 0.5-1.5mm <sup>2</sup> A. W. G. : (22-16) Max.current=19A
DBNY1.25-14	3.0	14.0	25.0							
DBNY1.25-18	2.2	18.0	29.0							
DBNY2-10	2.4	10.0	21.0	11.0	2.3	4.8	0.8	100	Blue	Wire range : 1.5-2.5mm <sup>2</sup> A. W. G. : (16-14) Max.current=27A
DBNY2-14	2.4	14.0	25.0							
DBNY2-18	2.2	18.0	29.0							
DBNY5.5-10	2.8	10.0	23.0	13.0	3.4	6.7	1.0	100	Yellow	Wire range : 4-6mm <sup>2</sup> A. W. G. : (12-10) Max.current=48A
DBNY5.5-14	4.5	14.0	27.0							
DBNY5.5-18	4.5	18.0	31.0							

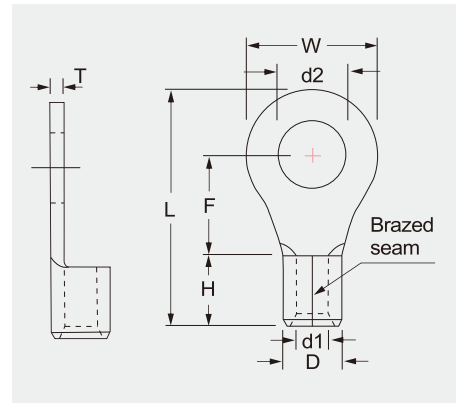


裸端子  
Non-Insulated  
Copper  
Terminals



Non-Insulated Ring Terminals

- Material
- Terminal Body: Copper
- Brazed Seam
- Plating: Tin

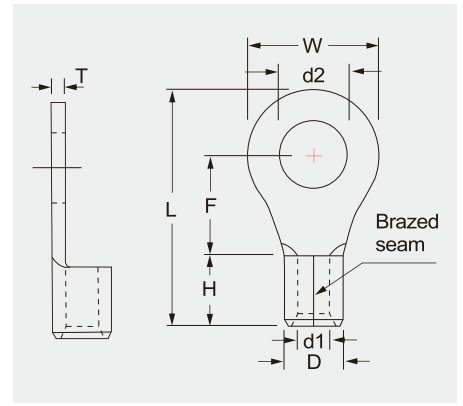


ITEM NO .	STUD SIZE		DIMENSION mm								PCS/ PACK	EXPLANATION
	Metric	American	d2	W	F	L	H	d1	D	T		
RNB1.25-3.2	3	#4	3.2	5.7	4.95	12.6	4.8	1.7	3.4	0.8	100	Wire range : 0.5-1.5mm <sup>2</sup> A. W. G. : (22-16) Max.current=19A
RNB1.25-3.5S	3.5	#6	3.7									
RNB1.25-3.5M	3.5	#6	3.7	6.6	6.3	14.4						
RNB1.25-3.5L	3.5	#6	3.7	8.0	7.0	15.8						
RNB1.25-4S	4	#8	4.3	6.6	6.3	14.4						
RNB1.25-4L	4	#8	4.3	8.0	7.0	15.8						
RNB1.25-5	5	#10	5.3									
RNB1.25-5L	5	#10	5.3	9.5	7.5	17.1						
RNB1.25-6	6	1/4 "	6.5	11.6	11.2	21.8						
RNB1.25-8	8	5/16 "	8.5									
RNB1.25-10	10	3/8 "	10.5	13.6	13.9	25.5						
RNB1.25-12	12	1/2 "	13.0	19.2	16.0	30.4						
RNB2-3.2	3	#4	3.2	6.6	6.4	14.5	4.8	2.3	4.0	0.8	100	Wire range : 1.5-2.5mm <sup>2</sup> A. W. G. : (16-14) Max.current=27A
RNB2-3.5	3.5	#6	3.7									
RNB2-3.5M	3.5	#6	3.7	6.6	7.9	16.0						
RNB2-3.5L	3.5	#6	3.7	8.5	7.75	16.8						
RNB2-4S	4	#8	4.3	6.6	7.9	16.0						
RNB2-4L	4	#8	4.3	8.5	7.75	16.8						
RNB2-5S	5	#10	5.3									
RNB2-5L	5	#10	5.3	9.5	7.5	17.1						
RNB2-6	6	1/4 "	6.5	12.0	11.0	21.8						
RNB2-8	8	5/16 "	8.5									
RNB2-10	10	3/8 "	10.5	13.6	13.9	25.5						
RNB2-12	12	1/2 "	13.0	19.2	16.0	30.4						



Non-Insulated Ring Terminals

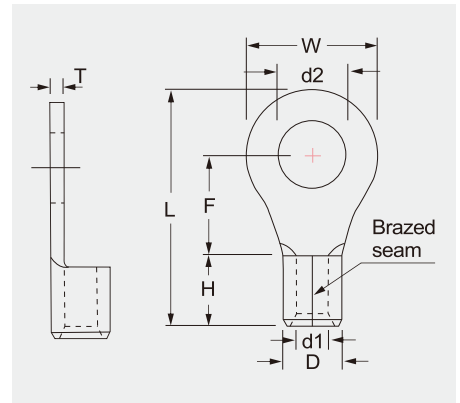
- o Material
- o Terminal Body: Copper
- o Brazed Seam
- o Plating: Tin



ITEM NO.	STUD SIZE		DIMENSION mm								PCS/ PACK	EXPLANATION
	Metric	American	d2	W	F	L	H	d1	D	T		
RNB3.5-4	4	#8	4.3	8.0	7.7	17.7	6.0	2.9	5.0	1.0	100	Wire range : 2.5-4mm <sup>2</sup> A. W. G. : (14-12) Max.current=37A
RNB3.5-5S	5	#10	5.3									
RNB3.5-6	6	1/4 "	6.5									
RNB3.5-8	8	5/16 "	8.5	15.0	13.5	27.0						
RNB5.5-3.5	3.5	#6	3.7	7.2	5.9	15.5	6.0	3.4	5.5	1.0	100	Wire range : 4-6mm <sup>2</sup> A. W. G. : (12-10) Max.current=48A
RNB5.5-4S	4	#8	4.3									
RNB5.5-4L	4	#8	4.3	9.5	8.85	19.6						
RNB5.5-5	5	#10	5.3	9.5	8.85	19.6	6.0	3.4	5.5	1.0	100	
RNB5.5-6	6	1/4 "	6.5	12.0	10.5	22.5						
RNB5.5-8	8	5/16 "	8.5	15.0	13.5	27.0						
RNB5.5-10	10	3/8 "	10.5									
RNB5.5-12	12	1/2 "	13.0	19.2	16.0	31.6						
RNB8-4S	4	#8	4.3	8.0	9.3	21.8	8.5	4.5	7.2	1.2	100	Wire range : 6-10mm <sup>2</sup> A. W. G. : ( 8 ) Max.current=62A
RNB8-4L	4	#8	4.3	12.0	9.3	23.8						
RNB8-5S	5	#10	5.3	8.8	9.3	22.2						
RNB8-5M	5	#10	5.3	12.0	9.3	23.8						
RNB8-5L	5	#10	5.3	15.0	13.8	29.8	8.5	4.5	7.2	1.2	100	
RNB8-6S	6	1/4 "	6.5	12.0	9.3	23.8						
RNB8-8	8	5/16 "	8.5	15.0	13.8	29.8						
RNB8-10	10	3/8 "	10.5									
RNB8-12	12	1/2 "	13.0	20.0	15.0	33.5						

Non-Insulated Ring Terminals

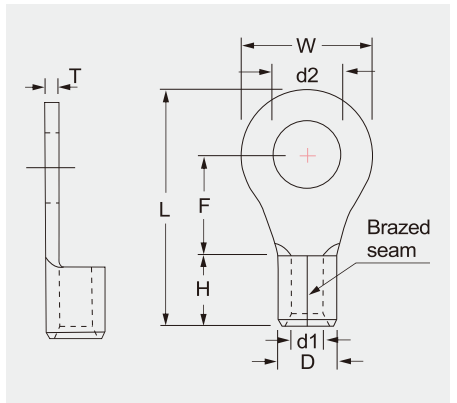
- Material
- Terminal Body: Copper
- Brazed Seam
- Plating: Tin



ITEM NO.	STUD SIZE		DIMENSION mm								PCS/ PACK	EXPLANATION	
	Metric	American	d2	W	F	L	H	d1	D	T			
RNB14-4	4	#8	4.3										
RNB14-5	5	#10	5.3	12.0	13.3	29.8							
RNB14-6S	6	1/4 "	6.5										
RNB14-8	8	5/16 "	8.5	16.0	14.0	32.5	10.5	5.8	9.0	1.4	100	Wire range : 10-16mm <sup>2</sup> A. W. G. : ( 6 ) Max.current=88A	
RNB14-10	10	3/8 "	10.5										
RNB14-12	12	1/2 "	13.0	22.0	19.5	41.0							
RNB22-4	4	#8	4.3	12.2	15.1	33.2							
RNB22-5S	5	#10	5.3										
RNB22-5L	5	#10	5.3	16.5	13.5	33.7							
RNB22-6S	6	1/4 "	6.5	12.2	15.1	33.2	12.0	8.3	11.5	1.6	50	Wire range : 16-25mm <sup>2</sup> A. W. G. : ( 4 ) Max.current=115A	
RNB22-6L	6	1/4 "	6.5										
RNB22-8	8	5/16 "	8.5	16.5	13.5	33.7							
RNB22-10	10	3/8 "	10.5										
RNB22-12	12	1/2 "	13.0	22.0	19.5	42.5							
RNB38-5	5	#10	5.3	15.3	17.4	39.0							
RNB38-6S	6	1/4 "	6.5										
RNB38-8S	8	5/16 "	8.5	15.3	17.4	39.0	14.0	9.4	13.3	1.7	20	Wire range : 35mm <sup>2</sup> A. W. G. : ( 2 ) Max.current=160A	
RNB38-10S	10	3/8 "	10.5	15.3	17.4	39.0							
RNB38-12	12	1/2 "	13.0	22.0	17.7	42.7							

Non-Insulated Ring Terminals

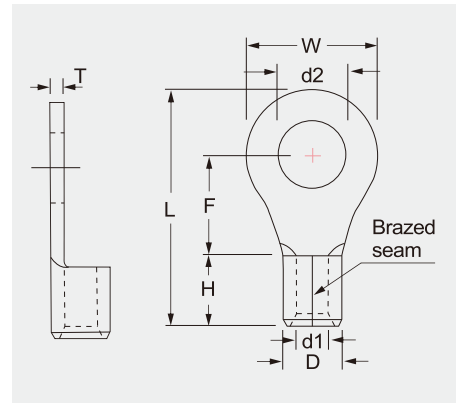
- o Material
- o Terminal Body: Copper
- o Brazed Seam
- o Plating: Tin



ITEM NO .	STUD SIZE		DIMENSION mm							EXPLANATION	
	Metric	American	d2	W	F	L	H	d1	D		
RNB 60-6	6	1/4	6.4	22.0	20.7	49.7	18.0	12.0	15.4	Wire range:50-70mm <sup>2</sup> A.W.G:1/0 Max.current=215A	
RNB60-8	8	5/16	8.4								
RNB 60-10	10	3/8	10.5								
RNB 60-12	12	1/2	13.0								
RNB 60-14	14	9/16	15.0	32.0	23.5	57.5	19.0	13.5	17.5		
RNB 60-16	16	5/8	17.0								
RNB 60-18	18	11/16	19.0								
RNB 60-20	20	3/4	21.0								
RNB 70-6	6	1/4	6.4	22.0	20.0	51.0	19.0	13.5	17.5		Wire range:70-95mm <sup>2</sup> A.W.G:2/0 Max.current=235A
RNB 70-8	8	5/16	8.4								
RNB 70-10	10	3/8	10.5								
RNB 70-12	12	1/2	13.0								
RNB 70-14	14	9/16	15.0	32.0	26.0	61.0	20.0	15.0	19.5		
RNB 70-16	16	5/8	17.0								
RNB 70-18	18	11/16	19.0								
RNB 70-20	20	3/4	21.0								
RNB80-6	6	1/4	6.4	27.0	20.7	54.2	20.0	15.0	19.5	Wire range:95-120mm <sup>2</sup> A.W.G:3/0 Max.current=265A	
RNB80-8	8	5/16	8.4								
RNB 80-10	10	3/8	10.5								
RNB 80-12	12	1/2	13.0								
RNB 80-14	14	9/16	15.0	32.0	32.0	68.0	21.0	17.0	22.5		
RNB 80-16	16	5/8	17.0								
RNB 80-18	18	11/16	19.0								
RNB 80-20	20	3/4	21.0								
RNB 100-6	6	1/4	6.4	28.5	20.4	55.6	21.0	17.0	22.5		Wire range:120-150mm <sup>2</sup> A.W.G:4/0 Max.current=300A
RNB 100-8	8	5/16	8.4								
RNB 100-10	10	3/8	10.5								
RNB 100-12	12	1/2	13.0								
RNB 100-14	14	9/16	15.0	32.0	32.0	69.0	21.0	17.0	22.5		
RNB 100-16	16	5/8	17.0								
RNB 100-18	18	11/16	19.0								
RNB 100-20	20	3/4	21.0								

Non-Insulated Ring Terminals

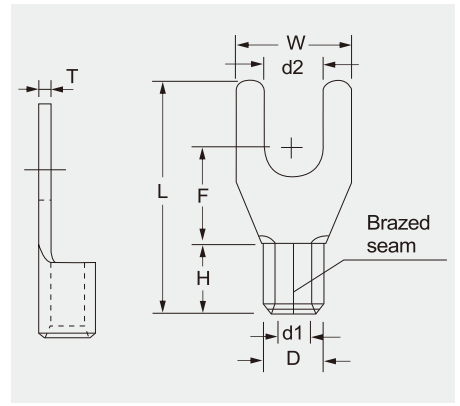
- Material
- Terminal Body: Copper
- Brazed Seam
- Plating: Tin



ITEM NO.	STUD SIZE		DIMENSION mm							EXPLANATION
	Metric	American	d2	W	F	L	H	d1	D	
RNB 150-8	8	5/16	8.4	36.5	23.0	66.0	27.0	20.0	27.0	Wire range:150-185mm <sup>2</sup> A.W.G:250/300 Max.current=395A
RNB 150-10	10	3/8	10.5							
RNB 150-12	12	1/2	13.0							
RNB 150-14	14	9/16	15.0		36.0	81.0				
RNB 150-16	16	5/8	17.0							
RNB 150-18	18	11/16	19.0							
RNB 150-20	20	3/4	21.0	38.5	24.5	69.0	28.5	21.0	28.6	
RNB 180-8	8	5/16	8.4							
RNB 180-10	10	3/8	10.5							
RNB 180-12	12	1/2	13.0		39	86.6				
RNB 180-14	14	9/16	15.0							
RNB 180-16	16	5/8	17.0							
RNB 180-18	18	11/16	19.0	44.0	24.5	78.0	31.5	24.0	32.6	
RNB 180-20	20	3/4	21.0							
RNB 200-8	8	5/16	8.4							
RNB 200-10	10	3/8	10.5		37.5	91.0				
RNB 200-12	12	1/2	13.0							
RNB 200-14	14	9/16	15.0							
RNB 200-16	16	5/8	17.0	50.5	33.5	87.5	35.5	28.5	37.1	
RNB 200-18	18	11/16	19.0							
RNB 200-20	20	3/4	21.0							
RNB 325-8	8	5/16	8.4		45.0	105.7				
RNB 325-10	10	3/8	10.5							
RNB 325-12	12	7/16	13.0							
RNB 325-14	14	9/16	15.0	50.5	35.5	87.5	35.5	28.5	37.1	
RNB 325-16	16	5/8	17.0							
RNB 325-18	18	11/16	19.0							
RNB 325-20	20	3/4	21.0		45.0	105.7				
RNB 325-22	22	7/8	23.0							
RNB 325-24	24	15/16	25.0							
RNB 325-27	27	1	28.0							Wire range:300-400mm <sup>2</sup> A.W.G:500/600 Max.current=650A

Non-Insulated Spade Terminals

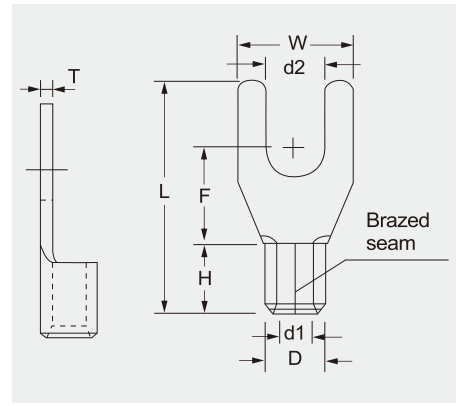
- Material
- Terminal Body: Copper
- Brazed Seam
- Plating: Tin



ITEM NO.	STUD SIZE		DIMENSION mm								PCS/ PACK	EXPLANATION		
	Metric	American	d2	W	F	L	H	d1	D	T				
SNB1.25-3.2	3	#4	3.2	5.7	6.5	16.0	4.8	1.7	3.4	0.8	100	Wire range : 0.5-1.5mm <sup>2</sup> A. W. G. : ( 22-16 ) Max.current=19A		
SNB1.25-3.5S	3.5	#6	3.7											
SNB1.25-3.5L	3.5	#6	3.7	6.4										
SNB1.25-4S	4	#8	4.3	6.4										
SNB1.25-4M	4	#8	4.3	7.2										
SNB1.25-4L	4	#8	4.3	8.1										
SNB1.25-5S	5	#10	5.3	9.5										
SNB1.25-5L	5	#10	5.3											
SNB1.25-6S	6	1/4 "	6.5	12.0									11.0	22.0
SNB1.25-6L	6	1/4 "	6.5											
SNB1.25-8	8	5/16 "	8.5		13.5	11.5	21.5							
SNB2-3.2	3	#4	3.2	5.7	6.5	16.0	4.8	2.3	4.0	0.8	100	Wire range : 1.5-2.5mm <sup>2</sup> A. W. G. : ( 16-14 ) Max.current=27A		
SNB2-3.5S	3.5	#6	3.7											
SNB2-3.5L	3.5	#6	3.7	6.0										
SNB2-4S	4	#8	4.3	6.4										
SNB2-4M	4	#8	4.3	7.2										
SNB2-4L	4	#8	4.3	8.1										
SNB2-5S	5	#10	5.3	9.5										
SNB2-5L	5	#10	5.3											
SNB2-6S	6	1/4 "	6.5	12.0									11.0	22.0
SNB2-6L	6	1/4 "	6.5											
SNB2-8	8	5/16 "	8.5	13.5	11.5	21.8								

Non-Insulated Spade Terminals

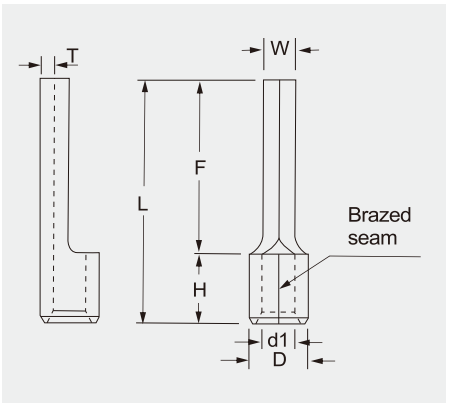
- Material
- Terminal Body: Copper
- Brazed Seam
- Plating: Tin



ITEM NO .	STUD SIZE		DIMENSION mm								PCS/ PACK	EXPLANATION
	Metric	American	d2	W	F	L	H	d1	D	T		
SNB3.5-4	4	#8	4.3	8.0	7.7	18.3	6.0	2.9	5.0	1.0	100	Wire range : 2.5-4mm <sup>2</sup> A. W. G. : ( 14-12 ) Max.current=37A
SNB3.5-5	5	#10	5.3									
SNB3.5-6	6	1/4 "	6.5									
SNB3.5-8	8	5/16 "	8.5									
SNB5.5-3.5	3.5	#6	3.7	9.0	7.0	18.5	6.0	3.4	5.5	1.0	100	Wire range : 4-6mm <sup>2</sup> A. W. G. : ( 10-12 ) Max.current=48A
SNB5.5-4SS	4	#8	4.3									
SNB5.5-4S	4	#8	4.3									
SNB5.5-4L	4	#8	4.3									
SNB5.5-5	5	#10	5.3	12.0	12.0	24.7	8.5	4.5	7.2	1.2	100	Wire range : 6-10mm <sup>2</sup> A. W. G. : ( 8 ) Max.current=62A
SNB5.5-6S	6	1/4 "	6.5									
SNB5.5-6L	6	1/4 "	6.5									
SNB5.5-8	8	5/16 "	8.5									
SNB8-4	4	#8	4.3	9.0	9.5	25.5	10.5	5.8	9	1.4	100	Wire range : 10-16mm <sup>2</sup> A. W. G. : ( 6 ) Max.current=88A
SNB8-5	5	#10	5.3									
SNB8-6	6	1/4 "	6.5									
SNB8-8	8	5/16 "	8.5									
SNB14-4	4	#8	4.3	11.0	9.5	27.8	12	7.7	11.5	1.6	50	Wire range : 16-25mm <sup>2</sup> A. W. G. : ( 4 ) Max.current=115A
SNB14-5	5	#10	5.3									
SNB14-6	6	1/4 "	6.5									
SNB14-8	8	5/16 "	8.5									
SNB22-5	5	#10	5.3	16.5	13.5	33.5						
SNB22-6	6	1/4 "	6.5									
SNB22-8	8	5/16 "	8.5									

Non-Insulated Pin Terminals

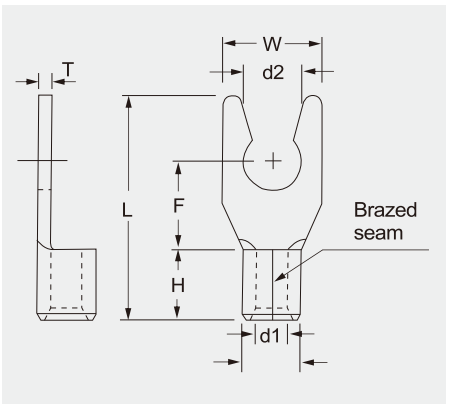
- Material
- Terminal Body: Copper
- Brazed Seam
- Plating: Tin



ITEM NO .	DIMENSION mm							PCS/ PACK	EXPLANATION
	W	F	L	H	d1	D	T		
PTN1.25-10	1.9	10.0	14.8	4.8	1.7	3.4	0.8	100	Wire range : 0.5-1.5mm <sup>2</sup> A. W. G. : (22-16) Max.current=19A
PTN1.25-12		12.0	16.8						
PTN1.25-18		18.0	21.8						
PTN2-10	1.9	10.0	14.8	4.8	2.3	4.0	0.8	100	Wire range : 1.5-2.5mm <sup>2</sup> A. W. G. : (16-14) Max.current=27A
PTN2-12		12.0	16.8						
PTN2-18		18.0	21.8						
PTN5.5-13	2.8	13.0	19.0	6.0	3.4	5.5	1.0	100	Wire range : 4-6mm <sup>2</sup> A. W. G. : (12-10) Max.current=48A

Non-Insulated Locking Spade Terminals

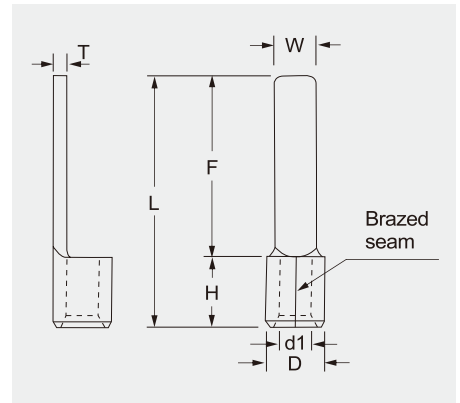
- Material
- Terminal Body: Copper
- Brazed Seam
- Plating: Tin



ITEM NO .	STUD SIZE		DIMENSION mm								PCS/ PACK	EXPLANATION
	Metric	American	d2	W	F	L	H	d1	D	T		
LSNB1.25-4	4	#8	4.3	7.2	6.5	16.0	4.8	1.7	3.4	0.8	100	Wire range : 0.5-1.5mm <sup>2</sup> A. W. G. : (22-16) Max.current=19A
LSNB1.25-5S	5	#10	5.3	8.1								
LSNB2-3.5	3.5	#6	3.7	6.0	6.5	16.0	4.8	2.3	4.0	0.8	100	Wire range : 1.5-2.5mm <sup>2</sup> A. W. G. : (16-14) Max.current=27A
LSNB2-4	4	#8	4.3	7.2								
LSNB2-5	5	#10	5.3	8.1	7.0	18.5	6.0	3.4	5.5	1.0	100	Wire range : 4-6mm <sup>2</sup> A. W. G. : (12-10) Max.current=48A
LSNB5.5-4	4	#8	4.3	8.3								
LSNB5.5-5	5	#10	5.3	9.0	12.0	24.7	6.0	3.4	5.5	1.0	100	Wire range : 4-6mm <sup>2</sup> A. W. G. : (12-10) Max.current=48A
LSNB5.5-6	6	1/4 "	6.5	12.0								

Non-Insulated Blade Terminals

- Material
- Terminal Body: Copper
- Brazed Seam
- Plating: Tin



ITEM NO .	DIMENSION mm							PCS/ PACK	EXPLANATION
	W	F	L	H	d1	D	T		
DBN1.25-10	2.3	10.0	14.8	4.8	1.7	3.4	0.8	100	Wire range : 0.5-1.5mm <sup>2</sup> A. W. G. : ( 22-16 ) Max.current=19A
DBN1.25-14	3.0	14.0	18.8						
DBN1.25-18	2.2	18.0	22.8						
DBN2-10	2.4	10.0	14.8	4.8	2.3	4.0	0.8	100	Wire range : 1.5-2.5mm <sup>2</sup> A. W. G. : ( 16-14 ) Max.current=27A
DBN2-14	2.4	14.0	18.8						
DBN2-18	2.2	18.0	22.8						
DBN5.5-10	2.8	10.0	16.0	6.0	3.4	5.5	1.0	100	Wire range : 4-6mm <sup>2</sup> A. W. G. : ( 12-10 ) Max.current=48A
DBN5.5-14	4.5	14.0	20.0						
DBN5.5-18	4.5	18.0	24.0						

C





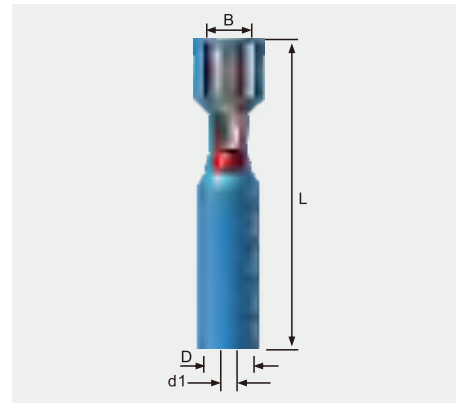
# PVC / 尼龍 / 熱縮 快速連接端子

Vinyl / Nylon / Heat  
shrinkable-Insulated  
Quick Disconnects



### Heat shrinkable Fully-Insulated Female Quick Disconnectors

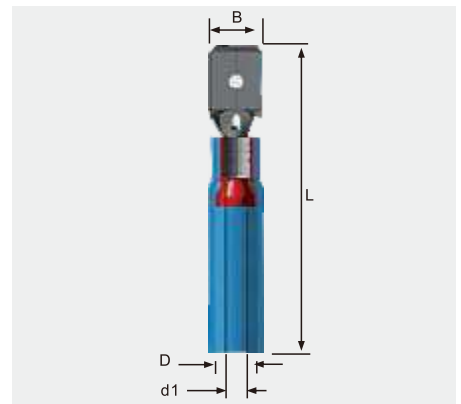
- Contraction ratio 3:1
- Excellent conductance performance
- Excellent impact resistance
- Good tensile and mechanical damage
- Stability of high elasticity
- Waterproof and moistureproof
- Temperature tolerance range: -55°C ~125°C
- Minimum systolic temperature: 80 degrees centigrade
- Minimum complete contraction temperature: 200°C



PRODUCT NUMBER	D	d1	B	SCREW SIZE	L MAX	COLOUR	GAUGE	END THICKNESS
HD-DS-P06R63E	6.2	1.6	6.6	6.3*0.8	30	●	0.5-1.5mm <sup>2</sup> (AWG22-18)	0.4mm
HD-DS-P06R63E	6.2	2.2	6.6	6.3*0.8	30	●	1.5-2.5mm <sup>2</sup> (AWG16-14)	0.4mm
HD-DS-P06R63E	6.8	3.4	6.6	6.3*0.8	32	●	4.0-6.0mm <sup>2</sup> (AWG12-10)	0.4mm

### Heat shrinkable-Insulated Male Quick Disconnectors

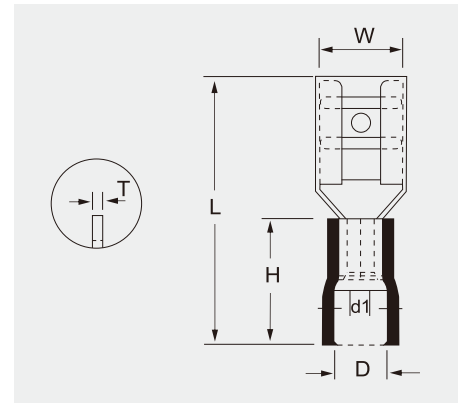
- Contraction ratio 3:1
- Excellent conductance performance
- Excellent impact resistance
- Good tensile and mechanical damage
- Stability of high elasticity
- Waterproof and moistureproof
- Temperature tolerance range: -55°C ~125°C
- Minimum systolic temperature: 80 degrees centigrade
- Minimum complete contraction temperature: 200°C



PRODUCT NUMBER	D	d1	B	E	L	COLOUR	GAUGE	END THICKNESS
HD-DS-T06R63E	6.2	1.6	6.3*0.8	21	28	●	0.5-1.5mm <sup>2</sup> (AWG22-18)	0.4mm
HD-DS-T06R63E	6.2	2.2	6.3*0.8	21	28	●	1.5-2.5mm <sup>2</sup> (AWG16-14)	0.4mm
HD-DS-T06R63E	6.8	3.4	6.3*0.8	25	32	●	4.0-6.0mm <sup>2</sup> (AWG12-10)	0.4mm

Vinyl-Insulated Female Quick Disconnects

- Maximum electrical rating: 75°C, 300V
- Insulation: Vinyl
- Terminal Body: Brass
- Plating: Tin

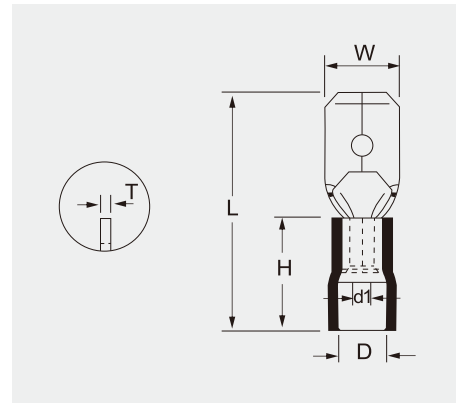


D

ITEM NO .	Nema Tab	DIMENSION mm						PCS/ PACK	COLOR	EXPLANATION					
		W	L	H	d1	D	T								
FDD1.25-110(5)	0.5×2.8	3.8	19.0	10.0	1.7	3.7	0.3	100	● Red	Wire range : 0.5-1.5mm <sup>2</sup> A. W. G : ( 22-16 ) Max.current=10A					
FDD1.25-110(8)	0.8×2.8										0.35				
FDD1.25-187(5)	0.5×4.75	5.8	19.0				0.35								
FDD1.25-187(8)	0.8×4.75														
FDD1.25-205(5)	0.5×5.2	6.5	19.0				0.4								
FDD1.25-250	0.8×6.35	7.5	21.0												
FDD1.25-312	0.8×8.0	9.1	24.0				10.0				2.3	4.3	0.35	● Blue	Wire range : 1.5-2.5mm <sup>2</sup> A. W. G : ( 16-14 ) Max.current=15A
FDD2-110(5)	0.5×2.8	3.8	19.0												
FDD2-110(8)	0.8×2.8														
FDD2-187(5)	0.5×4.75	5.8	19.0	0.35											
FDD2-187(8)	0.8×4.75														
FDD2-205(5)	0.5×5.2	6.5	19.0	0.4											
FDD2-250	0.8×6.35	7.5	21.0												
FDD2-312	0.8×8.0	9.1	24.0	13.0	3.4	5.6		0.4	● Yellow	Wire range : 4-6mm <sup>2</sup> A. W. G : ( 12-10 ) Max.current=24A					
FDD5.5-250	0.8×6.35	7.5	24.0				0.5								
FDD5.5-375	1.2×9.4	10.9	28.6												

### Vinyl-Insulated Male Quick Disconnects

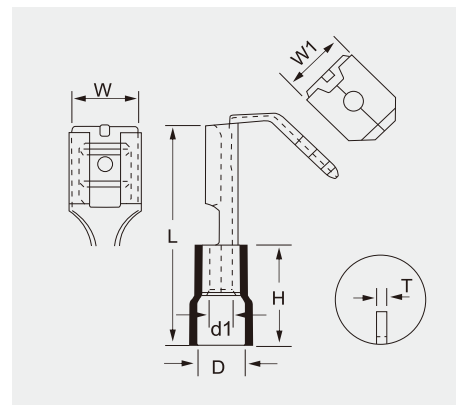
- Maximum electrical rating: 75°C, 300V
- Insulation: Vinyl
- Terminal Body: Brass
- Plating: Tin



ITEM NO .	Nema Tab	DIMENSION mm						PCS/ PACK	COLOR	EXPLANATION
		W	L	H	d1	D	T			
MDD1.25-110(5)	0.5×2.8	2.8	19.0	10.0	1.7	3.7	0.5	100	Red	Wire range : 0.5-1.5mm <sup>2</sup> A. W. G : ( 22-16 ) Max.current=10A
MDD1.25-110(8)	0.8×2.8									
MDD1.25-187(5)	0.5×4.75									
MDD1.25-187(8)	0.8×4.75									
MDD1.25-250	0.8×6.35									
MDD2-110(5)	0.5×4.75	2.8	19.0							
MDD2-187(5)	0.5×4.75									
MDD2-187(8)	0.8×4.75									
MDD2-250	0.8×6.35									
MDD5.5-250	0.8×6.35	6.35	25.0	13.0	3.4	5.6	0.4	100	Yellow	Wire range : 4-6mm <sup>2</sup> A. W. G : ( 12-10 ) Max.current=24A

### Vinyl-Insulated Piggy Back Quick Disconnects

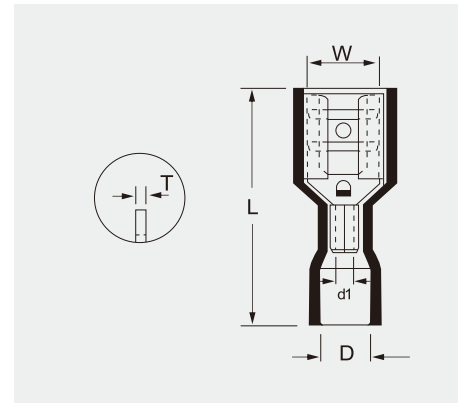
- Maximum electrical rating: 75°C, 300V
- Insulation: Vinyl
- Terminal Body: Brass
- Plating: Tin



ITEM NO .	Nema Tab	DIMENSION mm							PCS/ PACK	COLOR	EXPLANATION
		W	W1	L	H	d1	D	T			
PBDD1.25-250	0.8×6.35	7.5	6.3	21.5	10.0	1.7	3.8	0.4	100	Red	Wire range : 0.5-1.5mm <sup>2</sup> A. W. G : ( 22-16 ) Max.current=10A
PBDD2-250	0.8×6.35	7.5	6.3	21.5	10.0	2.3	4.3	0.4	100	Blue	Wire range : 1.5-2.5mm <sup>2</sup> A. W. G : ( 16-14 ) Max.current=15A
PBDD5.5-250	0.8×6.35	7.5	6.3	24.0	13.0	3.4	5.6	0.4	100	Yellow	Wire range : 4-6mm <sup>2</sup> A. W. G : ( 12-10 ) Max.current=24A

Vinyl-Fully Insulated Female Quick Disconnects

- Maximum electrical rating: 75°C, 300V
- Insulation: Vinyl
- Terminal Body: Brass
- Plating: Tin

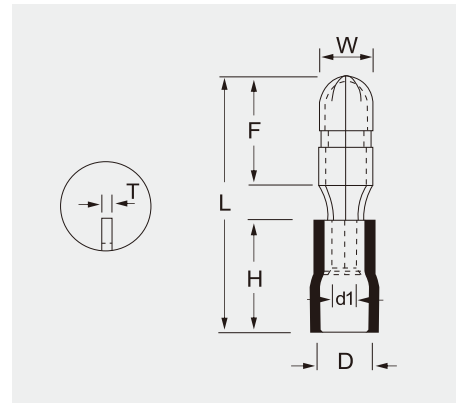


D

ITEM NO .	Nema Tab	DIMENSION mm					PCS/ PACK	COLOR	EXPLANATION
		W	L	d1	D	T			
FDFD1.25-110(5)	0.5×2.8	3.8	19.0	1.7	3.7	0.3	100	Red	Wire range : 0.5-1.5mm <sup>2</sup> A. W. G : ( 22-16 ) Max.current=10A
FDFD1.25-110(8)	0.8×2.8								
FDFD1.25-187(5)	0.5×4.75	5.8	20.0	2.3	4.2	0.35	Blue		
FDFD1.25-187(8)	0.8×4.75								
FDFD1.25-250	0.8×6.35	7.5	21.5	0.4	100	Yellow	Wire range : 4-6mm <sup>2</sup> A. W. G : ( 12-10 ) Max.current=24A		
FDFD2-110(5)	0.5×2.8	3.8	19.0	0.3					
FDFD2-110(8)	0.8×2.8								
FDFD2-187(5)	0.5×4.75	5.8	20.0	0.35	100	Blue			
FDFD2-187(8)	0.8×4.75								
FDFD2-250	0.8×6.35	7.5	21.5	0.4	100	Yellow	Wire range : 4-6mm <sup>2</sup> A. W. G : ( 12-10 ) Max.current=24A		
FDFD5.5-250	0.8×6.35	7.5	25.0	3.4				5.6	0.4

### Vinyl-Insulated Bullet-Male Quick Disconnects

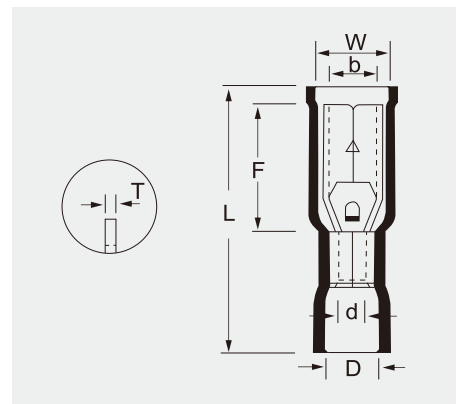
- Maximum electrical rating: 75°C, 300V
- Insulation: Vinyl
- Terminal Body: Brass
- Plating: Tin



ITEM NO .	DIMENSION mm							PCS/ PACK	COLOR	EXPLANATION
	W	F	L	H	d1	D	T			
MPD1.25-156	4.0	9.0	21.0	10.0	1.7	3.8	0.4	100	Red	Wire range : 0.5-1.5mm <sup>2</sup> A. W. G : ( 22-16 ) Max.current=10A
MPD2-156	4.0	9.0	21.0	10.0	2.3	4.3	0.4	100	Blue	Wire range : 1.5-2.5mm <sup>2</sup> A. W. G : ( 16-14 ) Max.current=15A
MPD2-195	5.0	9.0	21.0							
MPD5.5-195	5.0	9.0	24.0	13.0	3.4	5.6	0.4	100	Yellow	Wire range : 4-6mm <sup>2</sup> A. W. G : ( 12-10 ) Max.current=24A

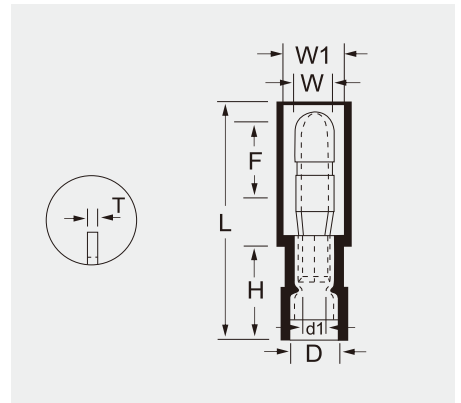
### Vinyl-Insulated Bullet-Female Quick Disconnects

- Maximum electrical rating: 75°C, 300V
- Insulation: Vinyl
- Terminal Body: Brass
- Plating: Tin



ITEM NO .	DIMENSION mm						PCS/ PACK	COLOR	EXPLANATION
	W	F	L	d1	D	T			
FRD1.25-156	3.9	13.0	23.3	1.7	3.8	0.4	100	Red	Wire range : 0.5-1.5mm <sup>2</sup> A. W. G : ( 22-16 ) Max.current=10A
FRD2-156	3.9	14.0	23.3	2.3	4.3	0.4	100	Blue	Wire range : 1.5-2.5mm <sup>2</sup> A. W. G : ( 16-14 ) Max.current=15A
FRD2-195	4.9	14.0	23.3	2.3	4.3	0.4			
FRD5.5-195	4.9	14.0	25.0	3.4	5.6	0.40	100	Yellow	Wire range : 4-6mm <sup>2</sup> A. W. G : ( 12-10 ) Max.current=24A

### Nylon-Insulated Bullet-Female Quick Disconnects



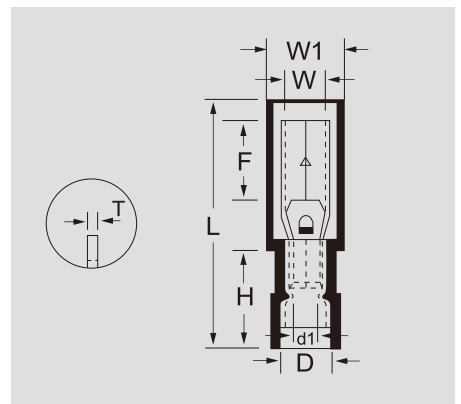
- Maximum electrical rating: 105°C, 300V
- Insulation: Nylon
- Terminal Body: Brass
- Plating: Tin



D

ITEM NO .	DIMENSION mm								PCS/ PACK	COLOR	EXPLANATION
	W	W1	F	L	H	d1	D	T			
MPFNY1.25-156	4.0	7.4	9.0	27.0	10.0	1.7	4.0	0.4	100	● Red	Wire range : 0.5-1.5mm <sup>2</sup> A. W. G : ( 22-16 ) Max.current=10A
MPFNY2-156	4.0	8.6	9.0	27.0	10.0	2.3	5.0	0.4	100	● Blue	Wire range : 1.5-2.5mm <sup>2</sup> A. W. G : ( 16-14 ) Max.current=15A

### Nylon-Insulated Bullet-male Quick Disconnects



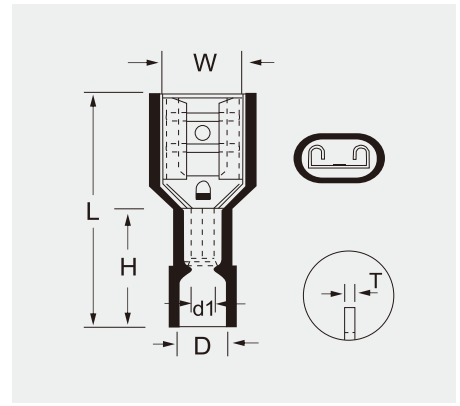
- Maximum electrical rating: 105°C, 300V
- Insulation: Nylon
- Terminal Body: Brass
- Plating: Tin



ITEM NO .	DIMENSION mm								PCS/ PACK	COLOR	EXPLANATION
	W	W1	F	L	H	d1	D	T			
FRFNY1.25-156	3.9	6.9	9	25.2	11.0	1.7	4.0	0.4	100	● Red	Wire range : 0.5-1.5mm <sup>2</sup> A. W. G : ( 22-16 ) Max.current=10A
FRFNY2-156	3.9	7.9	9	25.2	11.0	2.3	5.0	0.4	100	● Blue	Wire range : 1.5-2.5mm <sup>2</sup> A. W. G : ( 16-14 ) Max.current=15A

### Nylon-Fully Insulated Female Quick Disconnects

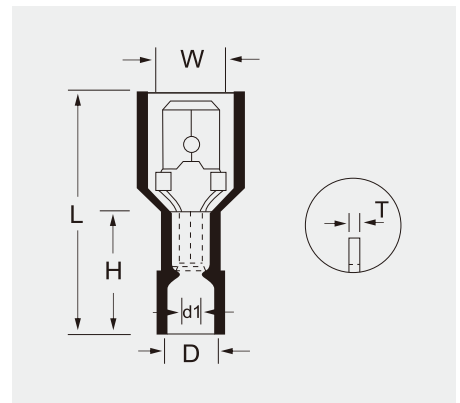
- Maximum electrical rating: 105°C, 300V
- Insulation: Nylon
- Terminal Body: Brass
- Plating: Tin



ITEM NO .	Nema Tab	DIMENSION mm						PCS/ PACK	COLOR	EXPLANATION
		W	L	H	d1	D	T			
FDFN1.25-187(5)	0.5×4.75	5.8	20.2	11.0	1.7	4.0	0.35	100	● Red	Wire range : 0.5-1.5mm <sup>2</sup> A. W. G : ( 22-16 ) Max.current=10A
FDFN1.25-187(8)	0.8×4.75									
FDFN1.25-250	0.8×6.35									
FDFN2-187(5)	0.5×4.75	5.8	20.2	11.0	2.3	4.5	0.35	100	● Blue	Wire range : 1.5-2.5mm <sup>2</sup> A. W. G : ( 16-14 ) Max.current=15A
FDFN2-187(8)	0.8×4.75									
FDFN2-250	0.8×6.35									
FDFN5.5-250	0.8×6.35	7.5	24.0	13.0	3.4	6.3	0.4	100	● Yellow	Wire range : 4-6mm <sup>2</sup> A. W. G : ( 12-10 ) Max.current=24A

### Nylon-Fully Insulated Male Quick Disconnects

- Maximum electrical rating: 105°C, 300V
- Insulation: Nylon
- Terminal Body: Brass
- Plating: Tin

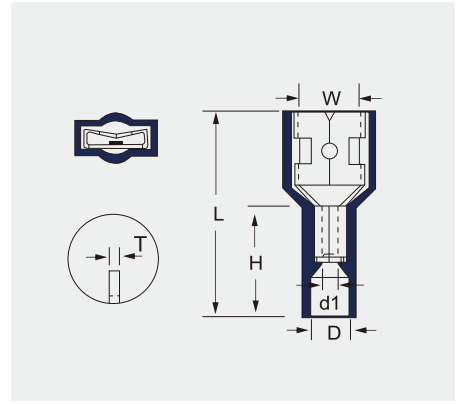


ITEM NO .	Nema Tab	DIMENSION mm						PCS/ PACK	COLOR	EXPLANATION
		W	L	H	d1	D	T			
MDFN1.25-250	0.8×6.35	6.35	24.0	11.0	1.7	4.0	0.8	100	● Red	Wire range : 0.5-1.5mm <sup>2</sup> A. W. G : ( 22-16 ) Max.current=10A
MDFN2-250	0.8×6.35	6.35	24.0	11.0	2.3	4.5	0.8	100	● Blue	Wire range : 1.5-2.5mm <sup>2</sup> A. W. G : ( 16-14 ) Max.current=15A
MDFN5.5-250	0.8×6.35	6.35	25.0	13.0	3.4	6.3	0.4	100	● Yellow	Wire range : 4-6mm <sup>2</sup> A. W. G : ( 12-10 ) Max.current=24A



### Nylon-Fully Insulated Female Quick Disconnects

- Maximum electrical rating: 105°C, 300V
- Insulation: Nylon
- Terminal Body: Brass
- Plating: Tin

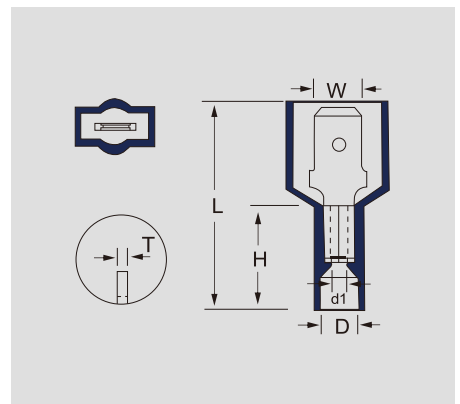


D

ITEM NO .	Nema Tab	DIMENSION mm						PCS/ PACK	COLOR	EXPLANATION
		W	L	H	d1	D	T			
FDfNY1.25-250	0.8×6.35	6.6	22.0	11.0	1.7	4.0	0.4	100	Red	Wire range : 0.5-1.5mm <sup>2</sup> A. W. G : ( 22-16 ) Max.current=10A
FDfNY2-250	0.8×6.35	6.6	22.0	11.0	2.3	4.5	0.4	100	Blue	Wire range : 1.5-2.5mm <sup>2</sup> A. W. G : ( 16-14 ) Max.current=15A
FDfNY5.5-250	0.8×6.35	6.6	24.5	12.0	3.4	5.5	0.4	100	Yellow	Wire range : 4-6mm <sup>2</sup> A. W. G : ( 12-10 ) Max.current=24A

### Nylon-Fully Insulated Male Quick Disconnects

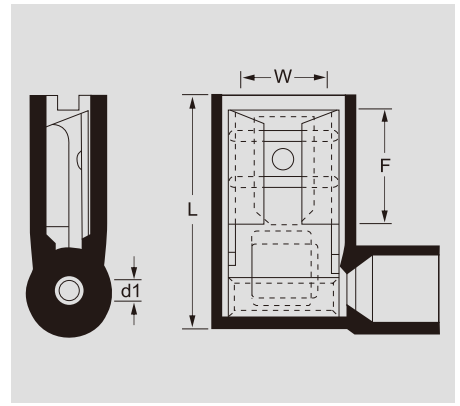
- Maximum electrical rating: 105°C, 300V
- Insulation: Nylon
- Terminal Body: Brass
- Plating: Tin



ITEM NO .	Nema Tab	DIMENSION mm						PCS/ PACK	COLOR	EXPLANATION
		W	L	H	d1	D	T			
MDFNY1.25-250	0.8×6.35	6.35	24.5	11.0	1.7	4.0	0.8	100	Red	Wire range : 0.5-1.5mm <sup>2</sup> A. W. G : ( 22-16 ) Max.current=10A
MDFNY2-250	0.8×6.35	6.35	24.5	11.0	2.3	4.5	0.8	100	Blue	Wire range : 1.5-2.5mm <sup>2</sup> A. W. G : ( 16-14 ) Max.current=15A
MDFNY5.5-250	0.8×6.35	6.35	26.0	13.0	3.4	5.5	0.8	100	Yellow	Wire range : 4-6mm <sup>2</sup> A. W. G : ( 12-10 ) Max.current=24A

### Nylon- Insulated Flange Female Quick Disconnects

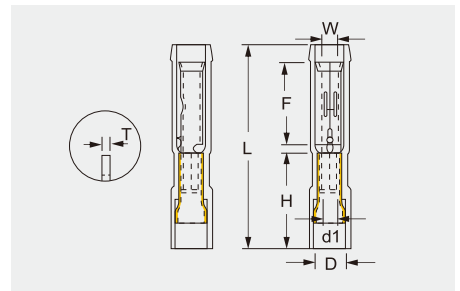
- Maximum electrical rating: 105°C, 300V
- Insulation: Nylon
- Terminal Body: Brass
- Plating: Tin



ITEM NO .	Nema Tab	DIMENSION mm					PCS/ PACK	COLOR	EXPLANATION
		W	F	L	d1	T			
FLDNY1.25-250	0.8×6.35	7.5	8.4	16	1.7	0.5	100	Red	Wire range : 0.5-1.0mm <sup>2</sup> A. W. G : (22-18) Max.current=10A
FLDNY2-250	0.8×6.35	7.5	8.4	16	2.3	0.5	100	Blue	Wire range : 1.5-2.5mm <sup>2</sup> A. W. G : (16-14) Max.current=15A
FLDNYD5.5-250	0.8×6.35	7.5	7.3	18	3.4	0.4	100	Yellow	Wire range : 4-6mm <sup>2</sup> A. W. G : (12-10) Max.current=24A

### Nylon- Insulated Bullet Female Quick Disconnects

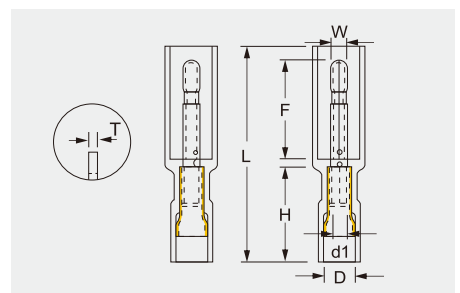
- Maximum electrical rating: 105°C, 300V
- Insulation: Nylon
- Terminal Body: Brass
- Metallic Sleeve: Copper
- Plating: Tin



ITEM NO .	DIMENSION mm							PCS/ PACK	COLOR	EXPLANATION
	W	L	F	H	d1	D	T			
FRFNVD0.5-078	2.05	24.8	10.0	11.0	1.6	3.5	0.3	100	White	Wire range : 0.5-0.75mm <sup>2</sup> Max.current=10A

### Nylon- Insulated Bullet Male Quick Disconnects

- Maximum electrical rating: 105°C, 300V
- Insulation: Nylon
- Terminal Body: Brass
- Metallic Sleeve: Copper
- Plating: Tin



ITEM NO .	DIMENSION mm							PCS/ PACK	COLOR	EXPLANATION
	W	L	F	H	d1	D	T			
FRFNVD0.5-078	2.0	27.0	12.0	11.0	1.6	3.5	0.3	100	White	Wire range : 0.5-0.75mm <sup>2</sup> Max.current=10A



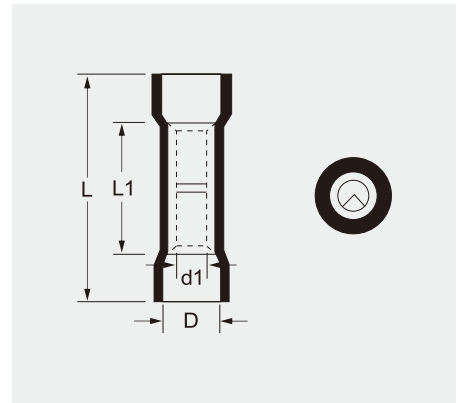
# 中接管及其它连接器

## Butt Splice & other Connectors



### Vinyl-Insulated Butt Splice Connectors

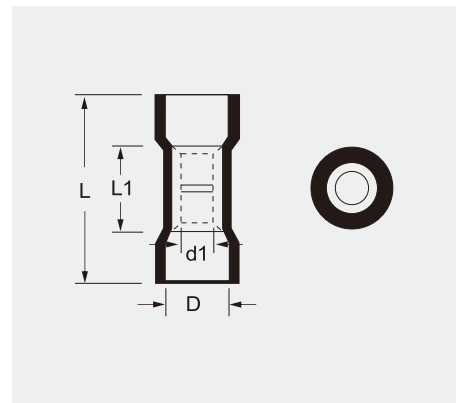
- Maximum electrical rating: 75°C, 600V
- Insulation: Vinyl
- Terminal Body: Copper
- Plating: Tin



ITEM NO .	DIMENSION mm				I <sub>max</sub>	WIRE RANGE		PCS/ PACK	COLOR	EXPLANATION
	L	L1	D	d1		A. W. G	mm <sup>2</sup>			
BV 1.25	24.6	15.0	4.2	2.15	19A	22-16	0.5-1.5	100	Red	Wire range: 0.5~1.5mm <sup>2</sup> A.W.G = 22-16
BV 2	24.6	15.0	4.7	2.75	27A	16-14	1.5-2.5	100	Blue	Wire range: 1.5~2.5mm <sup>2</sup> A.W.G = 16-14
BV 5.5	26.0	15.0	6.3	4.25	48A	10-12	4-6	100	Yellow	Wire range: 4~6mm <sup>2</sup> A.W.G = 12-10
BV 8	35.0	21.0	8.5	5	62A	8 (8)	6-10	100	Red	Wire range: 8mm <sup>2</sup> A.W.G = 8
BV 14	45.0	26.0	10.5	6.6	88A	14 (6)	10-16	50	Blue	Wire range: 14mm <sup>2</sup> A.W.G = 6
BV 22	52.0	29.0	12.5	8.0	115A	22 (4)	16-25	50	Yellow	Wire range: 22mm <sup>2</sup> A.W.G = 4
BV 38	55.0	32.0	15.5	10.0	160A	38 (2)	25-35	50	Red	Wire range: 38mm <sup>2</sup> A.W.G = 2

### Vinyl-Insulated Parallel Splice Connectors

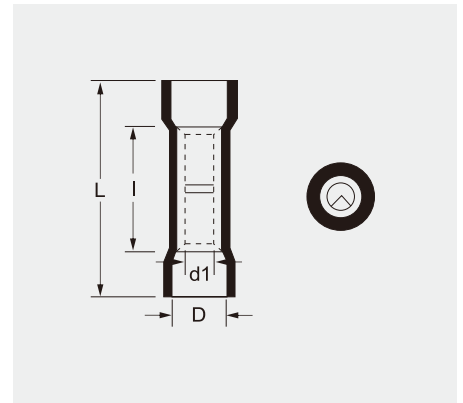
- Maximum electrical rating: 75°C, 600V
- Insulation: Vinyl
- Terminal Body: Copper
- Plating: Tin



ITEM NO .	DIMENSION mm				I <sub>max</sub>	WIRE RANGE		PCS/ PACK	COLOR	EXPLANATION
	L	L1	D	d1		A. W. G	mm <sup>2</sup>			
PVT 1.25	16.0	8.0	4.3	2.3	19A	22-16	0.5-1.5	100	Red	Wire range: 0.5~1.5mm <sup>2</sup> A.W.G = 22-16
PVT2	16.0	8.0	5.0	2.95	27A	16-14	1.5-2.5	100	Blue	Wire range: 1.5~2.5mm <sup>2</sup> A.W.G = 16-14
PVT5.5	20.5	8.5	6.3	4.45	48A	10-12	4-6	100	Yellow	Wire range: 4~6mm <sup>2</sup> A.W.G = 12-10

Nylon-Insulated Butt Splice Connectors

- Maximum electrical rating: 105°C, 600V
- Insulation: Nylon
- Terminal Body: Copper
- Plating: Tin

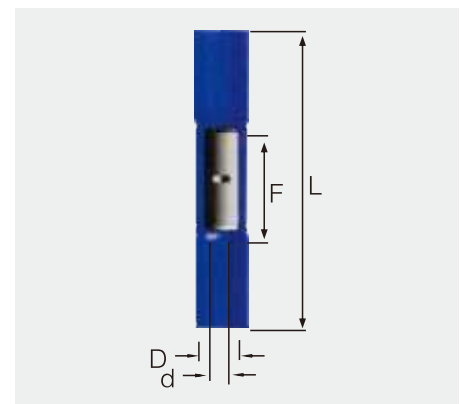


ITEM NO .	DIMENSION mm				Imax	WIRE RANGE		PCS/ PACK	COLOR	EXPLANATION
	L	D	d1	L1		A. W. G	mm <sup>2</sup>			
BNYF 1.25	25.2	4.0	2.15	15.0	19A	22-16	0.5-1.5	100	Red	Wire range: 0.5~1.5mm <sup>2</sup> A.W.G = 22-16
BNYF 2	25.2	4.5	2.75	15.0	27A	16-14	1.5-2.5	100	Blue	Wire range: 1.5~2.5mm <sup>2</sup> A.W.G = 16-14
BNYF 5.5	28.0	6.3	4.25	15.0	48A	12-10	4-6	100	Yellow	Wire range: 4~6mm <sup>2</sup> A.W.G = 12-10

E

Insula Ted Hea T Shrinkable Butt Connectors

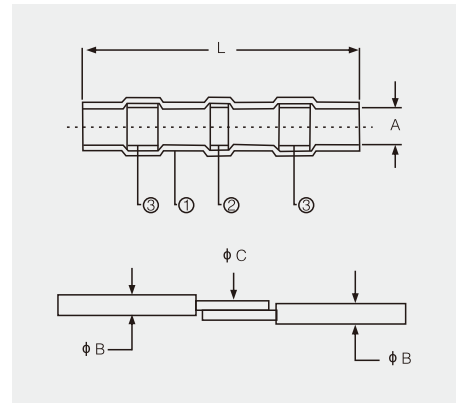
- Maximum Electrical Rating : 600 Volts
- Shrink Temp 150 °C  
Operating Temp -10°C~105°C
- Terminal Material: Copper tube
- Plating: Electro Tin Plated
- Insulated Material : Heat Shrinkable Tube



ITEM NO.	WIRE RANGE AWG/mm <sup>2</sup>	DIMENSIONS inch(mm)				INSULATED COLOR
		F	L	D	d	
BHT0.5	26~22 AWG 0.2-0.5 mm <sup>2</sup>	12.0	24.0	2.1	1.2	TRANSPARENT
BHT1.25	22~16 AWG 0.5~1.5 mm <sup>2</sup>	15.0	37.0	4.5	1.6	RED
BHT2	16-14 AWG 1.5-2.5 mm <sup>2</sup>			5.5	2.3	BLUE
BHT5.5	12 ~10 AWG 4 ~6 mm <sup>2</sup>			6.5	3.6	YELLOW

### HD-SST-100 Single ring environment friendly solder ring

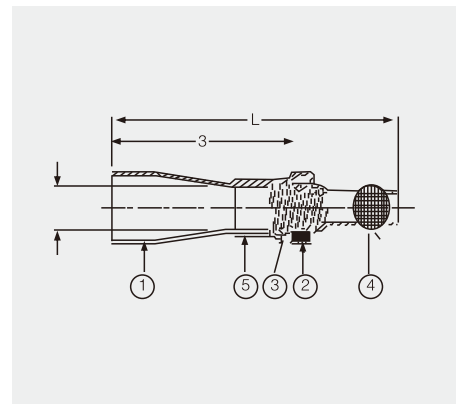
- Contraction ratio 2:1
- The hot-melt adhesive strip has the function of waterproof
- High transparent heat shrinkable casing
- Simple operation
- Minimum systolic temperature: 60 degrees centigrade
- Minimum complete contraction temperature: 150°C
- Complete dissolving temperature of tin ring: 138°C



PRODUCT NUMBER	Ring color	L(mm)	Number of tin rings	φ A Minimum inner diameter (mm)	Line number (mm)			Gauge AWG (mm <sup>2</sup> )
					B Minimum diameter	B maximum diameter C maximum diameter	C Minimum diameter	
HD-SST-100-01	○	26	1	1.7	0.4	1.7	0.76	26-24(0.25-0.5)
HD-SST-100-02	●	40	1	2.7	1.3	2.7	1.2	22-18(0.5-1.5)
HD-SST-100-03	●	40	1	4.5	1.8	4.5	2.0	16-14(1.5-2.5)
HD-SST-100-04	●	40	1	6.0	2.8	6.0	3.4	12-10(4.0-6.0)

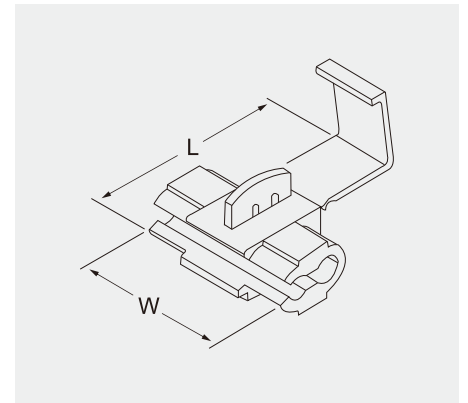
### HD-SST-SGRS-00 Environment-friendly solder seal cap

- Contraction ratio 2:1
- The hot-melt adhesive strip has the function of waterproof
- Heat resistant PVDF heat shrinkable tube
- Simple operation
- Minimum systolic temperature: 60 degrees centigrade
- Minimum complete contraction temperature: 150°C
- Complete dissolving temperature of tin ring: 138°C



PRODUCT NUMBER	Ring color	Product size			Copper wire part		Tin exchange
		φA	L(mm)	B	Minimum inner diameter mm <sup>2</sup>	Maximum inner diameter mm <sup>2</sup>	
HD-SST-SGRS-00-01	●	3.6	38	26	0.7	2.4	1
HD-SST-SGRS-00-02	●	5.0	38	26	2.0	4.0	2
HD-SST-SGRS-00-03	●	7.5	45	30	3.5	8.0	2
HD-SST-SGRS-00-04	●	9.4	45	30	7.5	12.0	3

Quick Splice Connectors



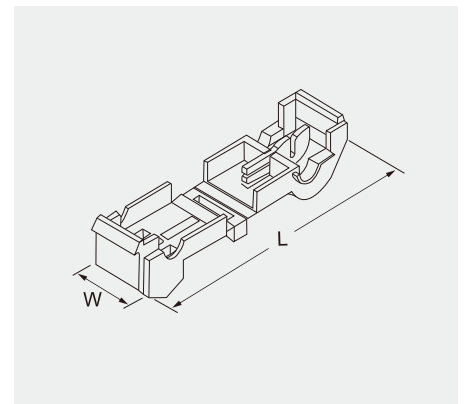
- Maximum electrical rating: 105°C, 600V
- Insulation: P.P.
- Terminal Body: Brass
- Plating: Tin



ITEM NO .	WIRE RANGE AWG/mm <sup>2</sup>	DIMENSION mm		PCS/ PACK	COLOR	EXPLANATION
		W	L			
878100	22~18AWG 0.5~0.75mm <sup>2</sup>	.787 20	1.063 27	50	Red	Material : PP
878101	18~14AWG 0.75~2.5mm <sup>2</sup>	.787 20	1.063 27	50	Blue	Material : PP
878101-WHITE		.787 20	1.063 27	50	whith	Material : PP
878201	12~10AWG 4~6mm <sup>2</sup>	.807 20.5	1.358 34.5	50	Yellow	Material : PP

E

Quick Splice Connectors



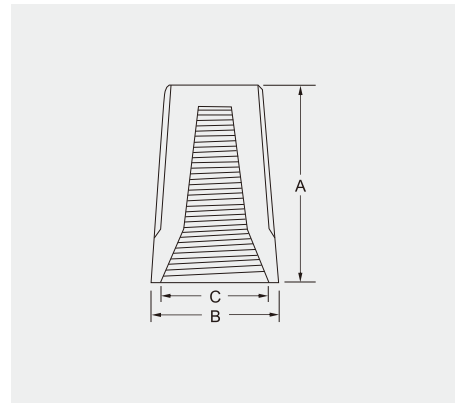
- Maximum Electrical Rating: 105°C 600 Volts
- Insulation Material: Nylon
- Terminal Material: Copper



ITEM NO .	WIRE RANGE AWG/mm <sup>2</sup>	SUGGESTED MATE WITH MALE TAB (THICKNESS X WIDTH)	DIMENSION mm		PCS/ PACK	COLOR	EXPLANATION
			W	L			
878006	22~18AWG 0.5~0.75mm <sup>2</sup>	MDFNY1-250 (.032 X . 250)	0.386 9.8	1.457 37	50	Red	
878106	18~14AWG 0.75~2.5mm <sup>2</sup>	MDFNY2-250 (.032 X . 250)	0.386 9.8	1.457 37	50	Blue	
878206	12~10AWG 4mm <sup>2</sup>	MDFNY5-250 (.032 X . 250)	0.386 9.8	1.457 37	50	Yellow	

### Screw On Wire Connectors

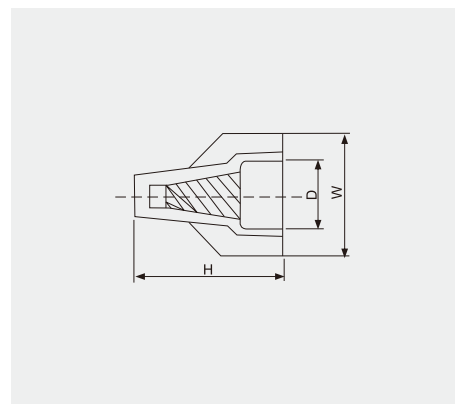
- Voltage:300V, 600V
- Temperature:105°C
- Material:PVC plastic rubber material
- International Certification: UL, CSA Security Certification
- Function: Suitable for electrical products, light utensilism, which needs high temperature testing(105), with high insulation performance.



ITEM NO .	A mm	B mm	C mm	SUITABLE WIRES A.W.G	COLOR	PACK/BAG
P1	15.2	8.6	6.7	22-14	● Grey	100
P2	17.6	9.8	7.4	22-14	● Blue	
P3	22.0	12	9.9	22-14	● Orange	100
P4	24.5	14	11	22-10	● Yellow	
P6	26.5	16.4	13	22-8	● Red	

### Double Wings Screw On Wire Connectors

- **Material:** UL nylon66, with spring inside.
- **Usage:** peel wire coat, insert the wire in, then tighten.

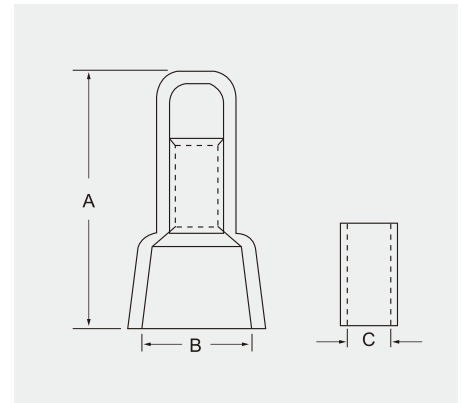


ITEM NO .	HEIGHT(MM)	WIDTH(MM)	D(MM)	SUITABLE WIRE	COLOR
P11	25.4	18	9.5	0.5-2.5mm <sup>2</sup> (AWG22-14)	Yellow
P12	27.7	17.8	10	0.5-4mm <sup>2</sup> (AWG22-12)	Taupe
P13	30.5	23.1	12	1.0-6mm <sup>2</sup> (AWG18-10)	Red
P15	32.6	25.5	14.6	1.0-10mm <sup>2</sup> (AWG18-8)	Grey
P17	39.5	31.7	17.8	2.5-16mm <sup>2</sup> (AWG14-6)	Blue



Closed End Wire Connectors

- Maximum Electrical Rating: 105°C 600 Volts
- Insulation: Nylon
- Terminal Body: Copper
- Plating: Tin

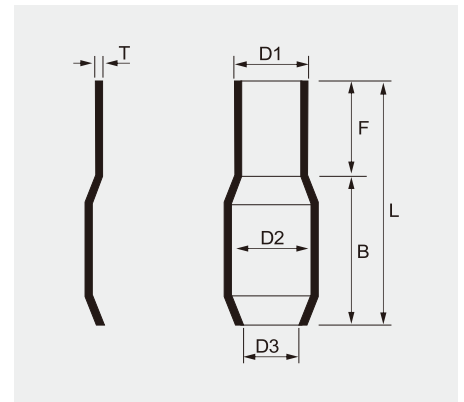


ITEM NO .	A mm	B mm	C mm	SUITABLE WIRES		SUITABLE CRIMPING TOOLS	PACK/BAG
				mm <sup>2</sup>	A.W.G		
CE-1	18	6.2	2.6	1.25	22-18	AK-25 MR-30A IZUM1#7A IZUM1 AC-5ND AK-28	100
CE-2	19.7	7.9	3	2	22-14		
CE-5	25.5	10.5	4	5.5	22-10		
CE-8	27.7	12.4	5.3	8	16-10		

E

Terminal Sleeve For Terminals & Tubularlugs

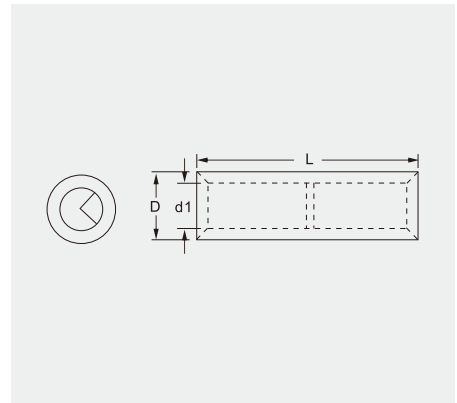
- Material: VINYL



ITEM NO .	DIMENSION mm							PCS/ PACK	EXPLANATION
	D1	D2	D3	L	F	B	T		
V 1.25	2.8	3.3	3.1	13.0	6.0	7.0	0.6	1000	Material : PVC 
V 2	3.3	4.5	3.7	14.0	7.0	7.0	0.7	1000	
V 3.5	4.2	5.7	4.1	17.0	9.0	8.0	0.8	1000	
V 5.5	4.8	5.7	5.2	17.0	9.0	8.0	0.8	500	
V 8	6.2	7.2	6.2	19.0	10.0	9.0	1.0	500	
V 14	7.5	10.0	8.0	25.0	14.0	11.0	1.1	200	
V 22	10.5	12.0	9.5	30.0	15.0	15.0	1.2	200	
V 38	12.5	14.0	11.8	34.0	17.5	16.5	1.5	100	
V 60	15.0	16.8	13.5	39.0	20.0	19.0	1.5	100	
V 70	16.0	17.5	14.5	43.0	22.0	20.0	1.5	50	
V 80	17.0	19.0	16.0	47.0	25.0	22.0	1.5	50	
V 100	19.0	22.0	18.0	54.0	30.0	24.0	1.6	50	
V 150	23.0	24.5	22.0	65.0	35.0	30.0	1.8	25	
V 200	27.0	32.0	24.0	65.0	35.0	30.0	2.0	20	
V 325	29.0	38.0	29.0	77.0	37.0	40.0	2.5	20	

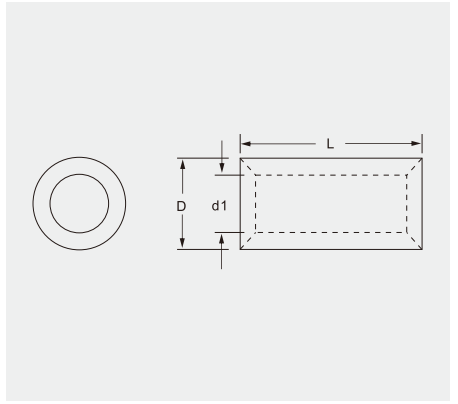
## Non-Insulated Butt Splice Connectors

- Terminal Body: Copper
- Plating: Tin



ITEM NO .	DIMENSION mm				PCS/ PACK
	D	d	L	T	
BNT1.25	3.35	2.15	15.0	0.6	100
BNT2	3.95	2.75	15.0	0.6	100
BNT3.5	5.0	3.8	15.0	0.6	100
BNT5.5	5.45	4.25	15.0	0.6	100
BNT8	7	5	21.0	1.0	100
BNT14	9	6.6	26.0	1.2	100
BNT22	11.0	8	29.0	1.5	250
BNT38	13.0	10	32.0	1.5	50
BNT60	15.3	11.4	36.0	1.95	50
BNT70	17.5	13.3	37.0	2.1	50
BNT80	19.5	14.5	38.0	2.5	50
BNT100	22.0	16.4	38.0	2.8	20
BNT150	26.5	19.5	54.0	3.5	20
BNT180	28.5	21	57.0	3.75	10
BNT200	32.5	24	63.0	4.2	10
BNT325	37	28	72.0	4.5	5

## Non-Insulated Parallel Splice Connectors



- Terminal Body: Copper
- Plating: Tin



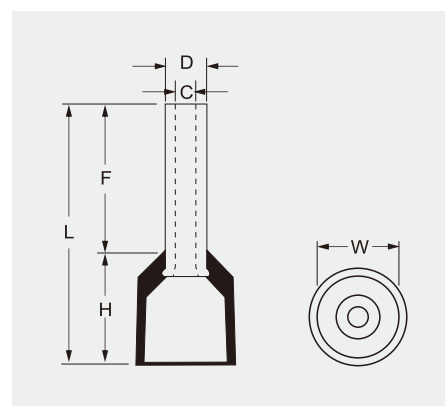
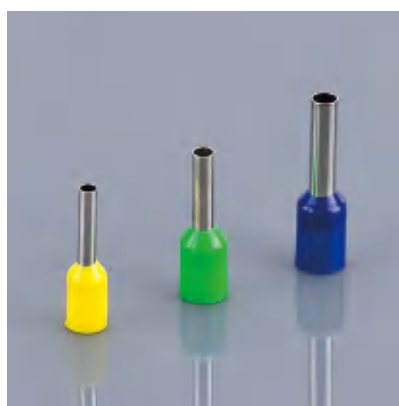
ITEM NO .	DIMENSION mm				PCS/ PACK
	L	D	d1	T	
PNT 1	8.0	3.35	2.15	0.6	100
PNT 2	8.0	3.95	2.75	0.6	100
PNT 5	8.5	5.45	4.25	0.6	100
PNT 8	9.5	7.0	5.0	1.0	100
PNT 14	11.0	9.0	6.6	1.2	100
PNT 22	13.5	11.0	8.0	1.5	50
PNT 38	16.5	13.0	10.0	1.5	50
PNT 60	19.0	15.3	11.4	1.95	50
PNT 70	19.0	17.5	13.3	2.1	50
PNT 80	19.5	19.5	14.5	2.5	50
PNT 100	20.0	22.0	16.4	2.8	20
PNT 150	27.0	26.5	19.5	3.5	20
PNT 180	28.5	28.5	21.0	3.75	10
PNT 200	32.0	32.5	24.0	4.20	10
PNT 325	37.0	37.0	28.0	4.50	5

歐式管形端子  
Cord  
End  
Terminals



Vinyl-Insulated Cord End Terminals

- Maximum electrical rating: 75°C, 600V
- Insulation: Vinyl
- Terminal Body: Copper
- Plating: Tin

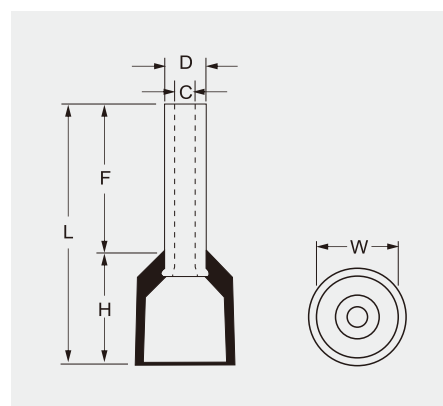
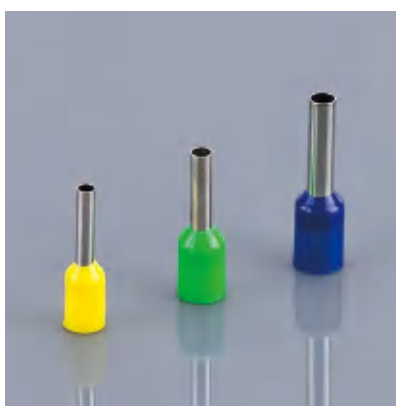


F

ITEM NO.	DIMENSION mm						PCS/ PACK	STANDARD COLOR	SELECTED COLOR
	F	L	W	H	D	C			
E0506	6.0	12.0	2.6	6.0	1.3	1.0	1000	Orange White	<ul style="list-style-type: none"> <li><span style="color: red;">●</span> R</li> <li><span style="color: blue;">●</span> B</li> <li><span style="color: yellow;">●</span> Y</li> <li><span style="color: black;">●</span> BK</li> <li><span style="color: green;">●</span> G</li> <li><span style="color: gray;">●</span> GY</li> <li><span style="color: white;">○</span> W</li> <li><span style="color: orange;">●</span> O</li> </ul>
E0508	8.0	14.0							
E0510	10.0	16.0							
E0512	12.0	18.0	2.8	6.3	1.5	1.2	1000	White Blue	
E7506	6.0	12.3							
E7508	8.0	14.3							
E7510	10.0	16.3							
E7512	12.0	18.3	3.0	6.3	1.7	1.4	1000	Yellow Red	
E7518	18.0	24.3							
E1006	6.0	12.3							
E1008	8.0	14.6	3.5	6.3	2.0	1.7	1000	Red Black	
E1012	12.0	18.3							
E1018	18.0	24.3							
E1508	8.0	14.3							
E1510	10.0	16.36	4.0	7.4	2.6	2.3	1000	Blue Gray	
E1512	12.0	18.3							
E1518	18.0	24.3							
E2508	8.0	15.4	4.5	7.4	3.2	2.8	1000	Gray Orange	
E2510	10.0	17.4							
E2512	12.0	19.4							
E2518	18.0	25.4							
E4009	9.0	16.4	4.5	7.4	3.2	2.8	1000	Gray Orange	
E4010	10.0	17.4							
E4012	12.0	19.4							
E4018	18.0	25.4							

Vinyl-Insulated Cord End Terminals

- Maximum electrical rating: 75°C, 600V
- Insulation: Vinyl
- Terminal Body: Copper
- Plating: Tin

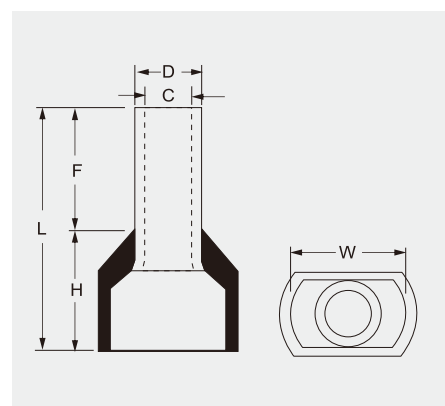


ITEM NO .	DIMENSION mm						PCS/ PACK	STANDARD COLOR	SELECTED COLOR
	F	L	W	H	D	C			
E6012	12.0	20.5	6.0	8.5	3.9	3.5	1000	Black Green	<ul style="list-style-type: none"> <li><span style="color: red;">●</span> R</li> <li><span style="color: blue;">●</span> B</li> <li><span style="color: yellow;">●</span> Y</li> <li><span style="color: black;">●</span> BK</li> <li><span style="color: green;">●</span> G</li> <li><span style="color: gray;">●</span> GY</li> <li><span style="border: 1px solid black; border-radius: 50%; display: inline-block; width: 10px; height: 10px;"></span> W</li> <li><span style="color: orange;">●</span> O</li> </ul>
E6018	18.0	26.5							
E10-12	12.0	20.8	7.5	8.8	4.9	4.5	500	Milk Brown	
E10-18	18.0	26.8							
E16-12	12.0	22.0	8.7	10.0	6.2	5.8	500	Green Milk	
E16-18	18.0	28.0							
E25-12	12.0	24.0	11.0	12.0	7.9	7.5	250	Brown Black	
E25-16	16.0	28.0							
E25-18	18.0	30.0							
E25-22	22.0	34.0							
E35-16	16.0	30.0	12.5	14.0	8.7	8.3	250	Gray	
E35-18	18.0	32.0							
E35-22	22.0	36.0							
E35-25	25.0	39.0							
E50-12	12.0	28.0	15.0	16.0	10.9	10.3	250	Olive	
E50-20	20.0	36.0							
E50-25	25.0	41.0							
E70-20	20.0	37.0	16.0	17.0	14.3	13.5	100		
E70-25	25.0	42.0							
E95-25	25.0	44.0	18.5	19.0	15.6	14.8	100		

F

Twin Cord End Terminals

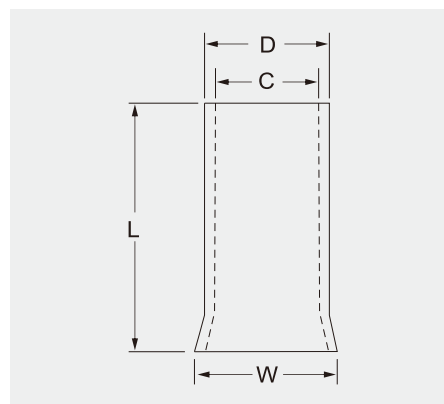
- o Maximum electrical rating: 75°C, 600V
- o Insulation: Vinyl
- o Terminal Body: Copper
- o Plating: Tin



F

ITEM NO.	DIMENSION mm						PCS/ PACK	STANDARD COLOR	SELECTED COLOR
	F	L	W	H	D	C			
TE0508	8.0	14.5	5.0	6.5	1.8	1.5	1000	White	<ul style="list-style-type: none"> <li><span style="color: red;">●</span> R</li> <li><span style="color: blue;">●</span> B</li> <li><span style="color: yellow;">●</span> Y</li> <li><span style="color: black;">●</span> BK</li> <li><span style="color: green;">●</span> G</li> <li><span style="color: gray;">●</span> GY</li> <li><span style="color: white;">○</span> W</li> <li><span style="color: orange;">●</span> O</li> </ul>
TE0510	10.0	16.5							
TE7508	8.0	14.7	5.5	6.7	2.1	1.8	1000	Blue Gray	
TE7510	10.0	16.7							
TE1008	8.0	15.1	5.5	7.1	2.3	2.0	1000	Red	
TE1010	10.0	17.1							
TE1508	8.0	15.5	6.4	7.5	2.6	2.3	1000	Black Yellow	
TE1512	12.0	19.5							
TE2510	10.0	18.5	8.0	8.5	3.3	2.9	1000	Gray Blue	
TE2513	13.0	21.5							
TE4012	12.0	23.1	8.8	11.1	4.2	3.8	1000	Orange Gray	
TE6014	14.0	26.1	9.5	12.1	5.3	4.9	500	Green Yellow	
TE10-14	14.0	26.6	12.6	12.6	6.9	6.5	500	Brown Red	
TE16-14	14.0	31.3	19.0	17.3	8.7	8.3	250	Milk Blue	

## Non-Insulated Cord End Terminals



- Maximum electrical rating: 75°C, 600V
- Terminal Body: Copper
- Plating: Tin

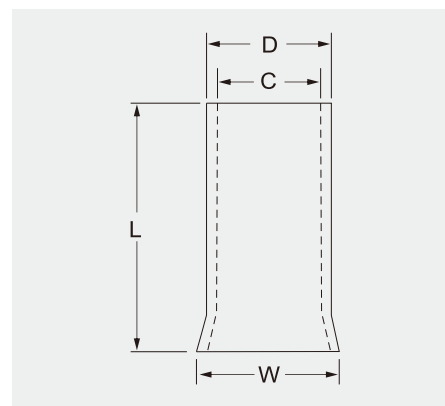


ITEM NO .	DIMENSION mm				PCS/PACK
	L	W	D	C	
EN0506	6.0	1.7	1.3	1.0	2000
EN0508	8.0				
EN0510	10.0				
EN0512	12.0				
EN7506	6.0	1.9	1.5	1.2	2000
EN7508	8.0				
EN7510	10.0				
EN7512	12.0				
EN1006	6.0	2.2	1.7	1.4	2000
EN1008	8.0				
EN1010	10.0				
EN1012	12.0				
EN1018	18.0	2.5	2.0	1.7	2000
EN1508	8.0				
EN1510	10.0				
EN1512	12.0				
EN1518	18.0	3.3	2.6	2.3	2000
EN2506	6.0				
EN2508	8.0				
EN2510	10.0				
EN2512	12.0	3.9	3.2	2.8	1000
EN2518	18.0				
EN4009	9.0				
EN4012	12.0				
EN4018	18.0	4.7	3.9	3.5	1000
EN6010	10.0				
EN6012	12.0				
EN6018	18.0				

F



## Non-Insulated Cord End Terminals



- Maximum electrical rating: 75°C, 600V
- Terminal Body: Copper
- Plating: Tin



ITEM NO.	DIMENSION mm				PCS/PACK
	L	W	D	C	
EN10-12	12.0	5.8	4.9	4.5	1000
EN10-16	16.0				
EN10-18	18.0				
EN10-20	20.0				
EN10-25	25.0				
EN16-12	12.0	7.2	6.2	5.8	1000
EN16-16	16.0				
EN16-18	18.0				
EN16-20	20.0				
EN16-22	22.0				
EN16-25	25.0	9.1	7.9	7.5	500
EN25-12	12.0				
EN25-16	16.0				
EN25-18	18.0				
EN25-22	22.0				
EN25-25	25.0	10.2	8.7	8.3	500
EN35-16	16.0				
EN35-20	20.0				
EN35-25	25.0	12.7	10.9	10.3	500
EN50-12	12.0				
EN50-18	18.0				
EN50-22	22.0				
EN50-25	25.0	15.8	14.3	13.5	200
EN70-22	22.0				
EN70-25	25.0				
EN70-32	32.0	17.3	15.6	14.8	100
EN95-25	25.0				

76PCS Insulated Terminal KIT



CE  RoHS

ITEM NO	HD-76					
DETAIL	BV1.25	4	BV2	4	BV5.5	4
	MDD1.25-250	4	MDD2-250	4	MDD5.5-250	4
	FDD1.25-250	4	FDD2-250	4	FDD5.5-250	4
	RV5.5-5	4	RV2-3	4	RV1.25-3	6
	RV5.5-6	4	RV2-4	4	RV1.25-4	6
	SV5.5-5	4	SV2-4	4	SV1.25-4	8
PLASTIC BOX SIZE	210X110X30MM					

G

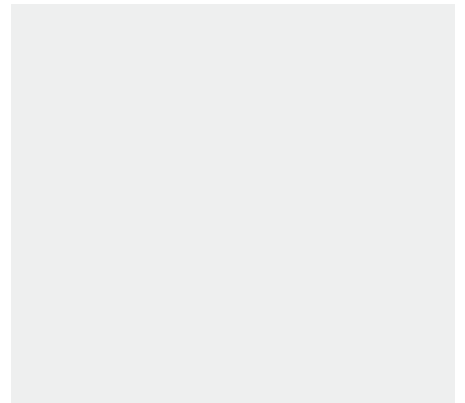
100PCS Insulated Terminal KIT



CE  RoHS

ITEM NO	HD-100					
DETAIL	BV1.25	5	BV2	5	BV5.5	5
	MDD1.25-250	5	MDD2-250	5	MDD5.5-250	5
	FDD1.25-250	5	FDD2-250	5	FDD5.5-250	5
	RV1.25-5	5	RV2-5	5	RV5.5-5	5
	RV1.25-6	10	RV2-6	5	RV5.5-6	5
	SV1.25-4	10	SV2-4	5	SV5.5-5	5
PLASTIC BOX SIZE	210X110X30MM					

120PCS Insulated Terminal KIT

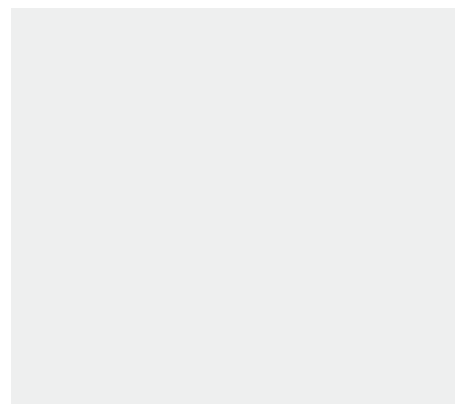


CE  **RoHS**

ITEM NO	HD-120					
DETAIL	MPD1.25-156	10	DFD1.25-110	5	FDD2-187	5
	FRD1.25-156	10	DFD1.25-187	5	DFD2-250	5
	MDD1.25-250	10	MPD2-156	5	MPD5.5-195	5
	FDD1.25-250	10	FRD2-156	5	FRD5.5-195	5
	FDD1.25-110	10	MDD2-250	5	MDD5.5-250	5
	FDD1.25-187	10	FDD2-250	5	FDD5.5-250	5
PLASTIC BOX SIZE	210X110X30MM					

G

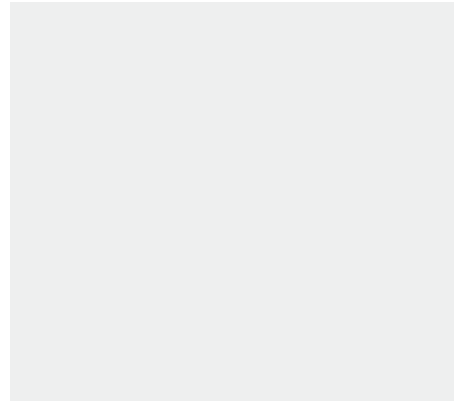
360PCS Insulated Terminal KIT



CE  **RoHS**

ITEM NO	HD-360					
DETAIL	RV1.25-4	20	MPD1.25-156	20	FDD1.25-250	20
	RV2-4	20	MPD2-156	20	FDD2-250	20
	RV1.25-5	20	FRD1.25-156	20	DFD1.25-250	20
	RV2-5	20	FRD2-156	20	DFD2-250	20
	RV1.25-6	20	MDD1.25-250	20	BV1.25	20
	RV2-6	20	MDD2-250	20	BV2	20
PLASTIC BOX SIZE	210X120X30MM					

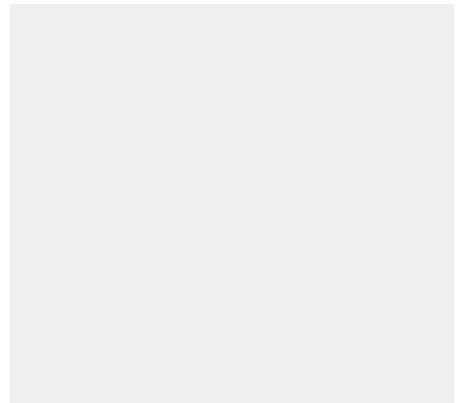
185PCS Heat Shrinkable Butt Splices KIT



CE  RoHS

ITEM NO	HD-185					
DETAIL	BHT1.25	100	BHT2	60	BHT5.5	25
PLASTIC BOX SIZE	210X110X30MM					

250PCS Heat Shrinkable terminals KIT

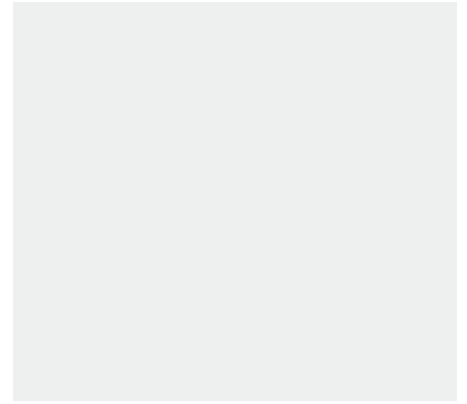


CE  RoHS

ITEM NO	HD-250					
DETAIL	HRV1.25-5	10	HRV5.5-5	10	BHT2	10
	HRV1.25-6	10	HRV5.5-6	10	BHT5.5	10
	HRV1.25-8	10	HRV5.5-8	10	HMDD1.25-250	10
	HRV1.25-10	10	HRV5.5-10	10	HMDD2-250	10
	HRV2-5	10	HSV1.25-5	10	HMDD5.5-250	10
	HRV2-6	10	HSV2-5	10	HFDFD1.25-250	10
	HRV2-8	10	HSV5.5-5	10	HFDFD2-250	10
	HRV2-10	10	BHT1.25	20	HFDFD5.5-250	10
PLASTIC BOX SIZE	210X110X30MM					

G

480PCS Heat Shrinkable terminals KIT

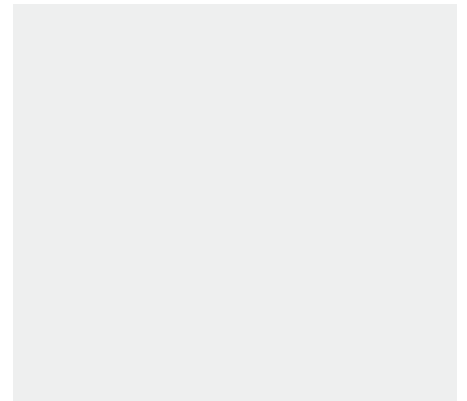


SPECIFICATIONS:

Butt splice	60 pcs	20x 22-16 AWG(Red)	Ring terminal #10	60 pcs	20x 22-16 AWG(Red)
		20x 16-14 AWG(Blue)			20x 16-14 AWG(Blue)
		20x 16-14 AWG( Yellow)			20x 12-10 AWG( Yellow)
Male quick Disconnector	60 pcs	20x 22-16 AWG(Red)	Ring terminal 1/4"	60 pcs	20x 22-16 AWG(Red)
		20x 16-14 AWG(Blue)			20x 16-14 AWG(Blue)
		20x 12-10 AWG(Yellow)			20x 12-10 AWG( Yellow)
Female quick Disconnector	60 pcs	20x 22-16 AWG(Red)	Ring terminal 5/16"	60 pcs	20x 22-16 AWG(Red)
		20x 16-14 AWG(Blue)			20x 16-14 AWG(Blue)
		20x 12-10 AWG(Yellow)			20x 12-10 AWG( Yellow)
Fork terminal #10	60 pcs	20x 22-16 AWG(Red)	Ring terminal 3/8"	60 pcs	20x 22-16 AWG(Red)
		20x 22-16 AWG(Red)			20x 16-14 AWG(Blue)
		20x 12-10 AWG( Yellow)			20x 12-10 AWG( Yellow)

G

255PCS Insulated Terminal KIT



ITEM NO	HD-255					
DETAIL	FRD1.25-156	25	FDD1.25-250	30	BV1.25	25
	MPD1.25-156	25	MDD1.25-250	30	BV2	25
	FRD2-156	20	FDD2-250	25	878100	5
	MPD2-156	20	MDD2-250	25		
PLASTIC BOX SIZE	205X125X30MM					

228PCS Auto Fuse



ITEM NO	HD-228					
	BLADE AUTO FUSE		MINI BLADE FUSE		GLASS FUSE	
DETAIL	3A	12	3A	12	5A	6
	5A	12	5A	12	7.5A	6
	7.5A	12	7.5A	12	10A	6
	10A	12	10A	12	15A	6
	15A	12	15A	12	20A	6
	20A	12	20A	12	25A	6
	25A	12	25A	12		
	30A	12	30A	12		
PLASTIC BOX SIZE	195X130X36MM					

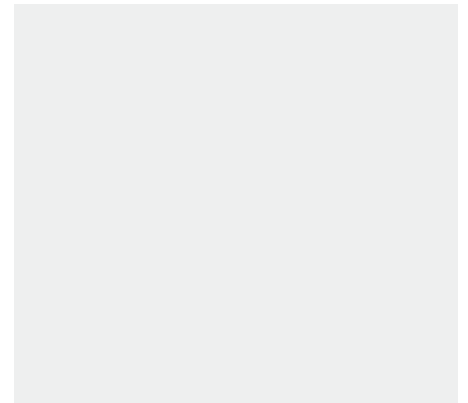
212PCS Cable Accessories KIT



SPECIFICATIONS:

Standard Blade Fuse	25 pcs	5x5 Amp (Orange)	Mini Blade Fuse	25 pcs	5x5 Amp (Orange)
		5 x 7.5 Amp (Brown)			5 x 7.5 Amp (Brown)
		5x10 Amp (Red)			5x10 Amp (Red)
		5 x 15 Amp (Blue)			5x15 Amp (Blue)
		5 x 20 Amp (Yellow)			5 x 20 Amp (Yellow)
Butt Splice	15 pcs	5 x Red Joiner	Ring Terminal	27 pcs	9 x 4mm (Red, Blue, Yellow)
		5 x Blue Joiner			9 x 6mm (Red, Blue, Yellow)
		5 x Yellow Joiner			9 x 8mm (Red, Blue, Yellow)
Male Connector	15 pcs	5 x 6.3mm (Red)	Female Connector	15 pcs	5 x 6.3mm (Red)
		5 x 6.3mm (Blue)			5 x 6.3mm (Blue)
		5 x 6.3mm (Yellow)			5 x 6.3mm (Yellow)
Heat Shrink	30 pcs	10 x 5mm (Black, Red)	Cable Tie	60 pcs	30 x 2.5mm x 100mm (Black)
		10 x 7mm (Black, Red)			30 x 3.5mm x 150mm (Black)
		10 x 10mm (Black, Red)			

101PCS Insulated Terminal KIT

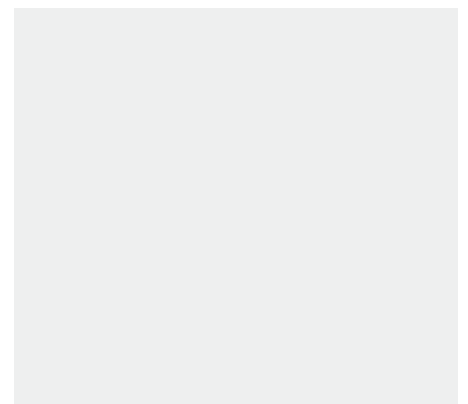


CE  RoHS

ITEM NO	HD-101			
DETAIL	RV1.25-4	10	PBDD1.25-250	10
	FDD1.25-250	10	PBDD2-250	10
	MDD1.25-250	10	MPD2-156	10
	FDD2-250	10	FRD2-156	10
	MDD2-250	10	FDD5.5-250	10
	HD-313	1		
PLASTIC BOX SIZE	245X110X25MM			

G

400PCS Cord end Terminal KIT



CE  RoHS

ITEM NO	HD-400		
DETAIL	E0508		50
	E7508		100
	E1008		100
	E1510		100
	E2510		50
PLASTIC BOX SIZE	92X40MM		

## H Type Terminal Block (12 Pole)

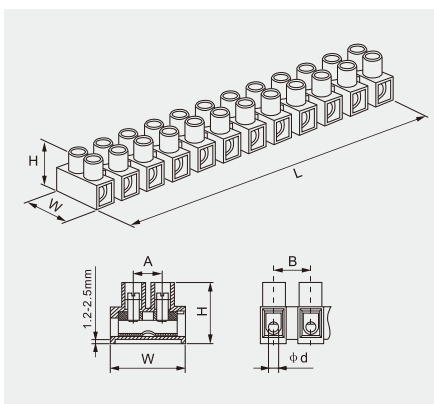
H series 12 pole terminal blocks are suitable for continuity or branching-off connectors between electric conductors.

### Material:

- Insert: brass
- Plastic: PE, PP or PA
- Color: Natural, Black, White

### Technical Data:

- Max. Operating temperature:  $-5^{\circ}\text{C}\sim+85^{\circ}\text{C}$  for PE  
 $-30^{\circ}\text{C}\sim+110^{\circ}\text{C}$  for PA(VDE)
- According to :EN60998-1 EN60998-2-1

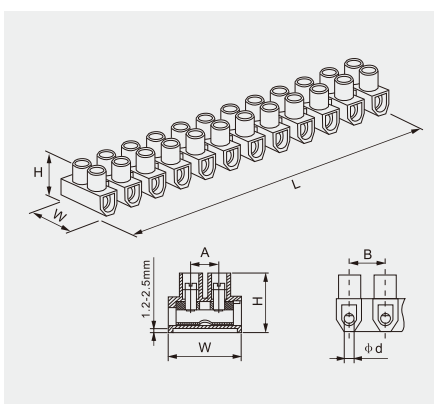


ITEM NO .	RATED CURRENT(A)	SECTION SIZE (mm <sup>2</sup> )	L (mm)	W (mm)	H (mm)	A (mm)	B (mm)	φd (mm)
H-3	3	2.5/4	92	16	12.2	5.5	7.5	2.7
H-6	6	6	119	17.3	13.9	6.5	8.2	3.3
H-10	10	10	131	20.85	16.4	7.25	11.2	3.71
H-15	15	12	135	22.65	18.25	8.25	11.5	4.2
H-20	20	14	141.6	22.65	18.4	8.5	12.2	4.5
H-30	30	16	165	24.1	21.1	9.5	14.1	5.5
H-60	60	25	190	30.8	25.2	11.15	16.5	6.3
H-80	80	30	201	36	22.65	12.1	18.15	6.9
H-100	100	35	228	38	33	13.8	19.4	7.4
H-150	150	40	261	44	33	21.2	22	8.3

H

## F(V) Type Terminal Block (12 Pole)

- Material: made from PA, PE or PP.
- Color: Natural, Black, White

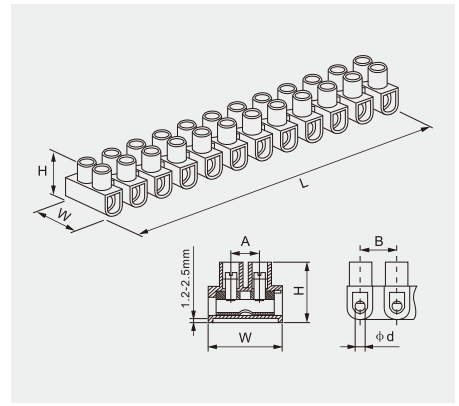


ITEM NO .	RATED CURRENT(A)	SECTION SIZE (mm <sup>2</sup> )	L (mm)	W (mm)	H (mm)	A (mm)	B (mm)	φd (mm)
F-3	3	2.5/4	91.25	15.7	13.5	5.7	8	3.2
F-5	5	6	109.35	16.9	14.5	6.5	9.21	3.3
F-10	10	10	126.2	20.25	15.8	8.25	10.6	3.85
F-15	15	12	135	22.6	17.6	8.3	11.9	4.3
F-30	30	16	156	25.65	20.5	9.1	13.1	5.5
F-60	60	25	189	29.9	25.6	13.0	15.8	6.6
F-80	80	30	205	36.1	29.9	14.2	17.2	7.3



## W(U) Type Terminal Block (12 Pole)

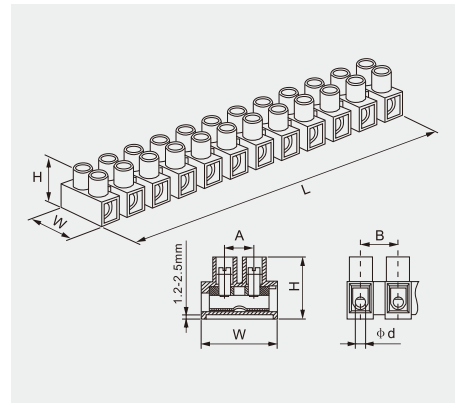
- Material: made from PA, PE or PP.
- Color: Natural, Black, White



ITEM NO.	RATED CURRENT(A)	SECTION SIZE (mm <sup>2</sup> )	L (mm)	W (mm)	H (mm)	A (mm)	B (mm)	φd (mm)
W-3	3	2.5/4	93	13.1	12.15	4.1	8	2.55
W-6	6	6	103.8	18.5	13.85	6.6	9	3.6
W-10	10	10	127.7	19.35	15.4	7.1	11.1	3.71
W-15	15	12	134	22.3	17.2	8.3	11.5	4.2
W-20	20	14	144	22.5	17.4	8.65	12.2	4.5
W-30	30	16	163	24.9	19	9.1	14.1	5.5
W-60	60	25	187	28.65	21.4	11.2	16	6.3
W-80	80	30	208	35.8	29.15	12.2	18	7.4

## H-E Type Terminal Block (VDE Standard) (12 Pole)

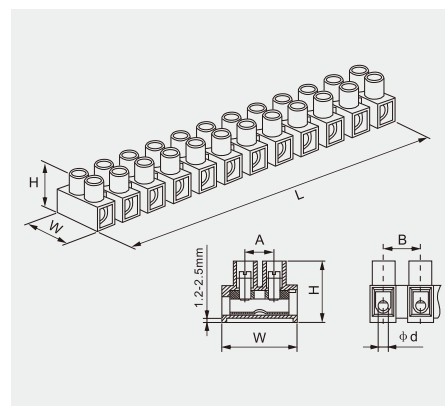
- Material:**                      **Color:** Natural, White
- Insert: brass
  - Plastic: PE, PP or PA
- Technical Data:**
- Max. Operating temperature: -5°C~+85°C for PE  
-30°C~+110°C for PA(VDE)
  - According to :EN60998-1 EN60998-2-1



ITEM NO.	RATED CURRENT(A)	SECTION SIZE (mm <sup>2</sup> )	L (mm)	W (mm)	H (mm)	A (mm)	B (mm)	φd (mm)
H-E8	17.5	1.5	95.37	16.9	15.05	6.3	8.2	2.9
H-E10	24	2.5	117	20.5	16.8	9.6	10.1	3.2
H-E12	41	6	140.1	23.9	18.8	10	12.2	4.2
H-E14	57	10	158	25.7	25.15	10.75	13.6	5

### H-N Type Terminal Block (12 Pole)

- Material: made from PE
- Color: White, Black

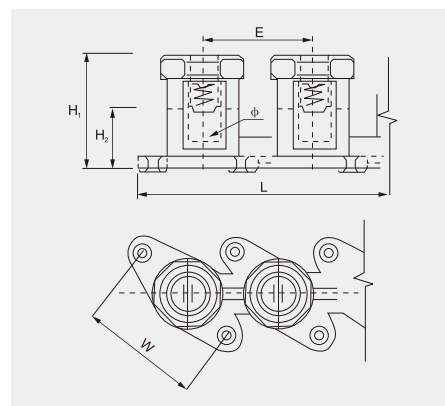


ITEM NO .	SECTION SIZE (mm <sup>2</sup> )	L (mm)	W (mm)	H (mm)	A (mm)	B (mm)	$\phi d$ (mm)
HN-6	6	118.5	19.1	15.1	7.5	10.4	3.4
HN-10	10	134.4	23.55	17	9.7	11.7	4.3
HN-16	16	171	25.4	21.1	9.5	14.8	5.7

## H

### 8T Type Terminal Block (8 Pole)

- Insulating Material: PA
- Insert: Brass
- Color: Grey, Blue Grey, White
- Voltage: 230~450V



ITEM NO .	SECTION SIZE (mm <sup>2</sup> )	L (mm)	W (mm)	H1 (mm)	H2 (mm)	E (mm)	$\phi$ (mm)	ORDER REF. (PCS/CTN)
8T16	16	173	26.4	23.6	12.1	21	8×5	200
8T25	25	206	31.4	27	13.1	24.8	9×6	100
8T35	35	251	41.5	32.3	17.3	30.3	12×8	80
8T50	50	260	42	34	17.3	32	14×8.5	60
8T70	70	271	43.5	37.9	21.5	33.2	16×9	40

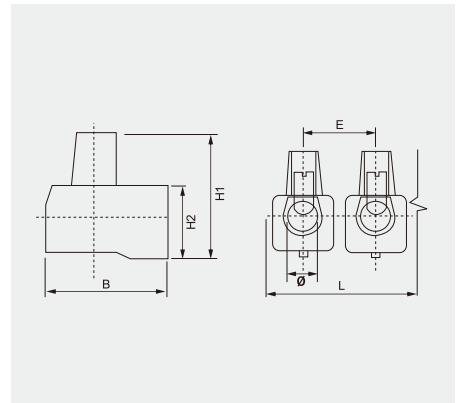
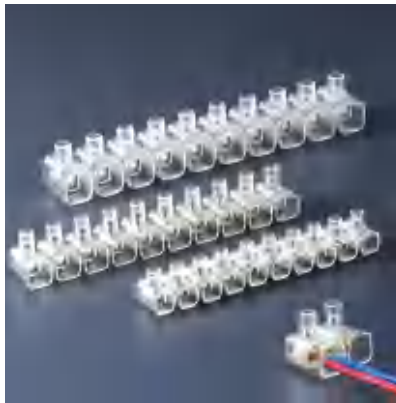
## C Type Terminal Block(10 Pole)

## Technical Data:

- Maximum operating temperature: +85°C
- Heat resistance: +130°C
- Building according to standards: EN60998-1, EN60998-2-1

## Materials:

- Insert: Brass
- Screws: Zinc Plated Steel
- Insulating body: Polycarbonate

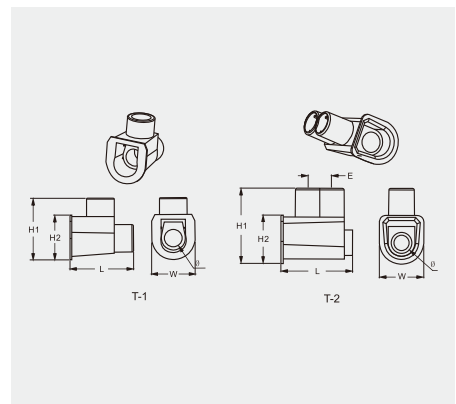


ITEM NO .	SECTION SIZE (mm <sup>2</sup> )	L (mm)	B (mm)	H1 (mm)	H2 (mm)	E (mm)	φ (mm)
C22	2.5	120	18	19	11	12	4.16
C23	4	121	20	18	10	12	4.76
C24	6	145	22	23	12	14.5	5.83
C25	10	169	25	26	17	17.5	7.58
C26	16	212	32	33	20	21	10.18

## T Type Terminal Block(Single Pole)

## Material:

- Insert: brass
- Plastic: polycarbonate

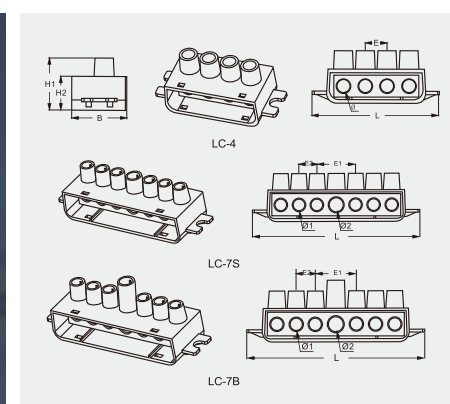
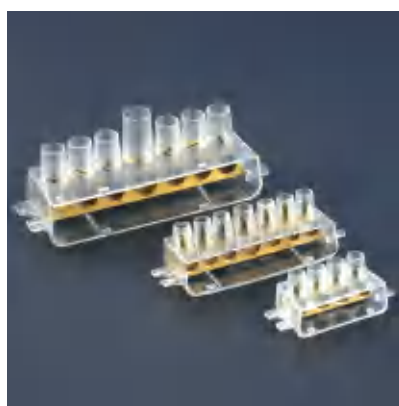


ITEM NO .	SECTION SIZE (mm <sup>2</sup> )	L (mm)	W (mm)	H1 (mm)	H2 (mm)	E (mm)	φ (mm)
T-1	6	19.9	13.65	19.8	14.1		5.6
T-2	6	21.8	14	24	15.5	7.3	6.5

## LC Type Terminal Block

**Material:**

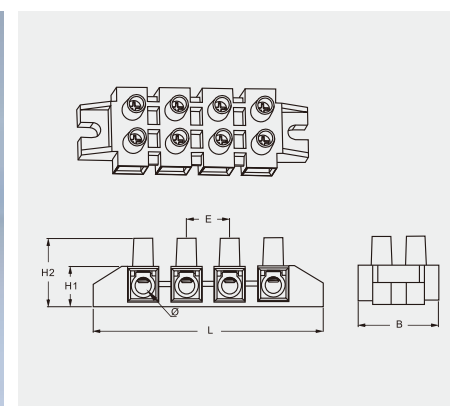
- Insert: brass
- Plastic: polycarbonate



ITEM NO .	SECTION SIZE (mm <sup>2</sup> )	L (mm)	B (mm)	H1 (mm)	H2 (mm)	E1 (mm)	E2 (mm)	φ1 (mm)	φ2 (mm)
LC-4	4×16	53.05	22.7	21.3	14	9		5.4	
LC-7S	1×25+6×16	83.8	25.4	24.7	16.65	19.7	9	5.8	7
LC-7B	1×50+6×35	110	35	29	21	28	13	8	10.5

## H

## B4 Type Terminal Block(4 Pole)

**Plastic:** PA, PE**Insert:** brass

ITEM NO .	SECTION SIZE (mm <sup>2</sup> )	L (mm)	B (mm)	H1 (mm)	H2 (mm)	E (mm)	φ (mm)
B4	16	77.5	27.3	13.3	22.9	14.6	5.6