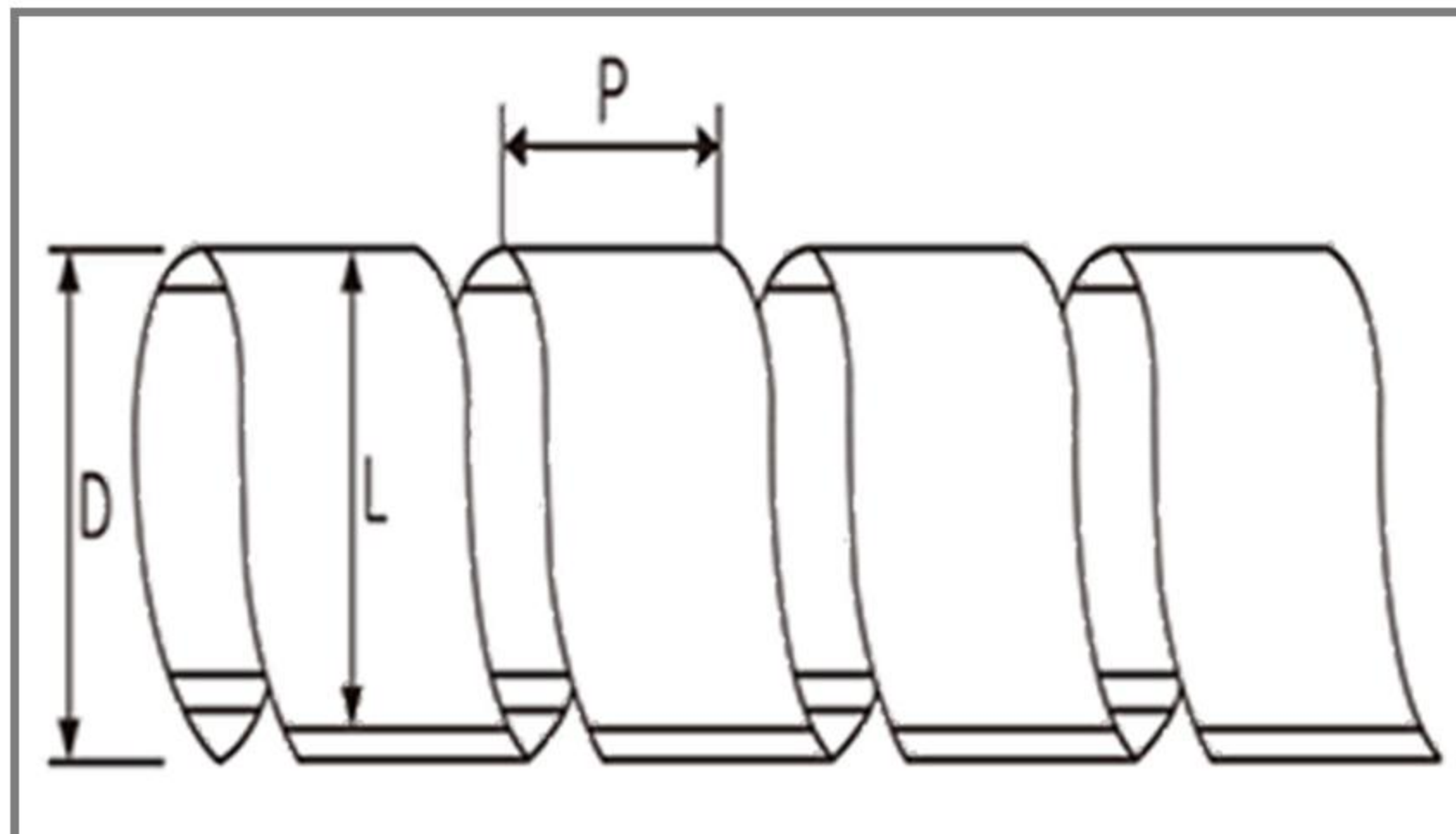


PE Spiral Wrapping Band  
PE螺旋缠绕管

Material: 100% fresh PE  
 Feature :Easy use no tool are required ,It organizes and protects wires and Can easily be cut off to the length you need .Protect wires from the wear and insulation, and can improve the beauty of bending.  
 Can be used in all kinds of engineering machinery and mining hydraulic equipment and electric wire and cable protection.  
 How to use :Fix one end with safety belt first , then circle the wires clockwise to make them tighen.  
 Size:(diameter) 8 / 10 / 16 / 22 / 28 / 32 / 42 mm  
 Color:black,white,gre,y,other color can be customized upon request.

材质: 100% 新鲜 PE  
 特点: 使用方便, 无需工具, 整理和保护电线, 可以轻松剪断到您需要的长度。保护电线免受磨损和绝缘, 并提高弯曲的美感。可用于各种工程机械和矿山液压设备及电线电缆保护。  
 使用方法: 先用安全带固定一端, 然后顺时针绕线使其收紧。  
 尺寸: (直径) 8 / 10 / 16 / 22 / 28 / 32 / 42 毫米。  
 颜色: 黑色, 白色, 灰色, 其他颜色可根据要求定制。



尺寸	直径	外径	间距	包装范围
Size	I.D.	O.D.	Pitch	Wrapping Range
NLWD-3	1.5mm	3.0mm	4.0mm	1.5-10mm
NLWD-4	2.5mm	4.0mm	4.5mm	2-20mm
NLWD-6	4.0mm	6.0mm	7.0mm	4-50mm
NLWD-8	6.0mm	8.0mm	10.8mm	6-60mm
NLWD-10	7.5mm	10.0mm	11.4mm	7.5-60mm
NLWD-12	9.0mm	12.0mm	13.9mm	9-65mm
NLWD-14	11.0mm	14.0mm	14.5mm	12.5-60mm
NLWD-15	12.0mm	15.0mm	15.0mm	12-75mm
NLWD-16	13.0mm	16.0mm	16.0mm	13.85mm
NLWD-18	14.0mm	18.0mm	17.0mm	14-90mm
NLWD-19	15.0mm	19.0mm	18.2mm	15-100mm
NLWD-20	17.0mm	20.0mm	18.5mm	16-105mm
NLWD-22	18.0mm	22.0mm	19.0mm	18-110mm
NLWD-24	20.0mm	24.0mm	19.6mm	20-130mm
NLWD-26	22.0mm	26.0mm	20.0mm	22-135mm
NLWD-28	24.0mm	28.0mm	28.0mm	22-140mm
NLWD-30	26.0mm	30.0mm	43.0mm	26-150mm

Specification Use Reference Table	
Diameter 4mm	Can put the mouse line
Diameter 6mm	Can put 1 network cable
Diameter 8mm	Can put 1 power cord
Diameter 10mm	Can put 2 network cables
Diameter 12mm	Can put 3 network cables
Diameter 14mm	Can put 4 network cables
Diameter 16mm	Can put 5 network cables
Diameter 18mm	Can put 4 power cords
Diameter 20mm	Can put 5 power cords
Diameter 25mm	Can put 3 power cords + 4 household power cords
Diameter 30mm	Can put 3 power cords + 4 household power cords

PE Spiral Wound Tape  
PE螺旋理线管

Material: 100% fresh PE  
 Feature :Easy use no tool are required ,It organizes and protects wires and Can easily be cut off to the length you need .Protect wires from the wear and insulation, and can improve the beauty of bending.  
 Can be used in all kinds of engineering machinery and mining hydraulic equipment and electric wire and cable protection.  
 How to use :Fix one end with safety belt first , then circle the wires clockwise to make them tighen.  
 Size:(diameter) 8 / 10 / 16 / 22 / 28 / 32 / 42 mm  
 Color:black,white,gre,y,other color can be customized upon request.

材质: 100% 新鲜 PE  
 特点: 使用方便, 无需工具, 整理和保护电线, 可以轻松剪断到您需要的长度。保护电线免受磨损和绝缘, 并提高弯曲的美感。可用于各种工程机械和矿山液压设备及电线电缆保护。  
 使用方法: 先用安全带固定一端, 然后顺时针绕线使其收紧。  
 尺寸: (直径) 8 / 10 / 16 / 22 / 28 / 32 / 42 毫米。  
 颜色: 黑色, 白色, 灰色, 其他颜色可根据要求定制。



Selection Reference
φ 8mm (can put 3 data lines) there is room
φ 10mm (can put 5 data lines) there is room
φ 16mm (can put 5 data lines + 5 mobile phone lines) there is room
φ 22mm (can put 6 data cables + 6 mobile phone cables + 1 power cable) there is room
φ 28mm (can put 6 data cables + 6 mobile phone cables + 3 power cables) there is room
φ 32mm (can put 6 data cables + 6 mobile phone cables + 5 power cables) there is room
φ 40mm (can put 6 data lines + 6 mobile phone lines + 7gen) there is room
Support customized specifications, customized lengths

Selection Reference



1. Collect all the wires into the lead wire

2. Aim at the nozzle and gently press down



3. Pull down gently to automatically click in

4. Pull it to a suitable length and cut it short



Bellows  
波纹管

Material: PE  
Specification: any size with your request  
Length: 2 meters or your request  
Thickness: 1mm-5mm or up to your request  
Processing Service: Cutting  
Color: Black

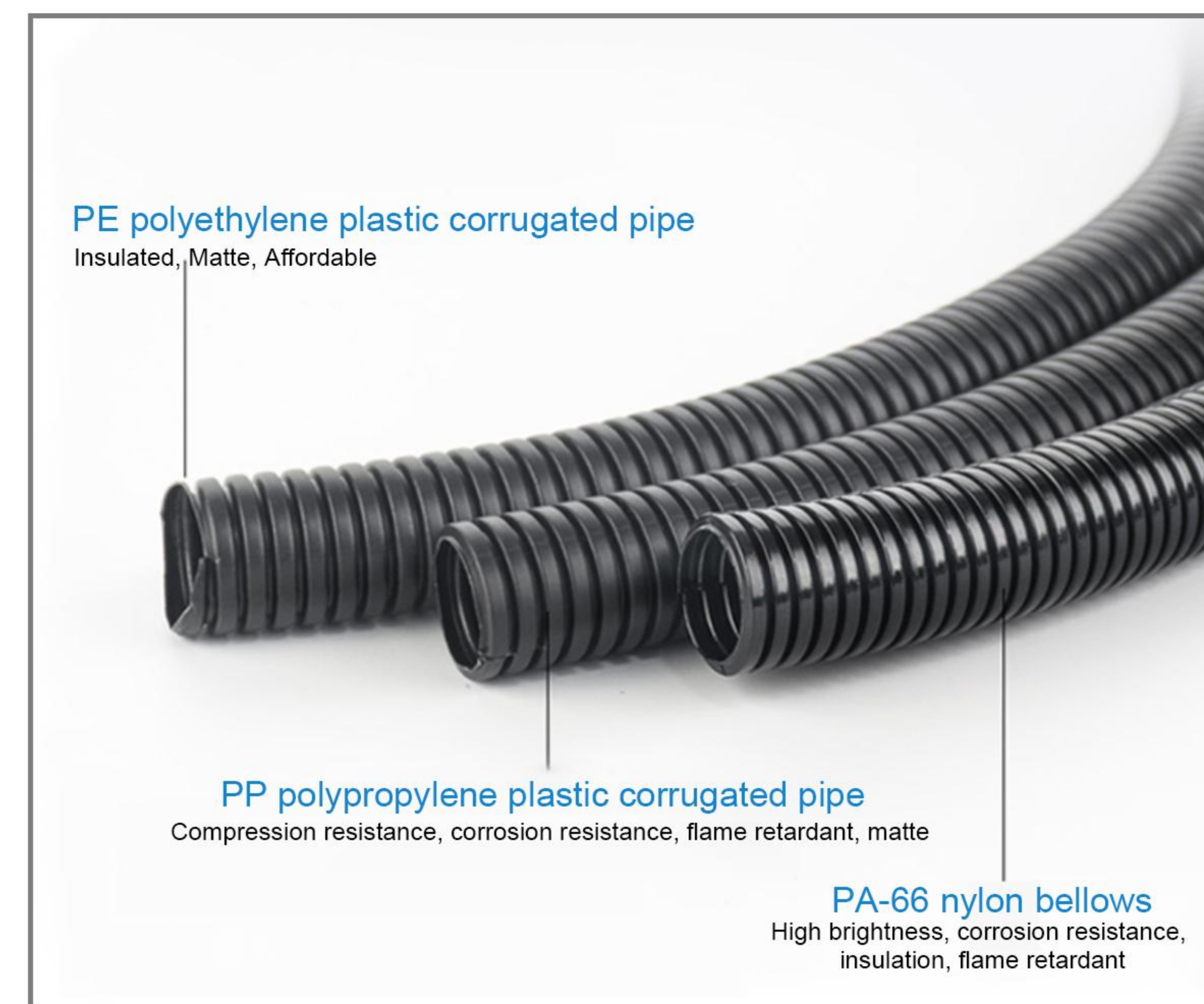
材质: PE  
规格: 任何尺寸与您的要求  
长度: 2米或您的要求  
厚度: 1mm-5mm 或根据您的要求  
加工服务: 切割  
颜色: 黑色



软管规格	直径	外径	弯曲外径	包装单位
Hose specifications	I.D.	O.D.	Bending radius	Packaging unit
NL-7.5	5.5mm	7.5mm	16	100 (mm/roll)
NL-10.0	6.5mm	10.0mm	16	100 (mm/roll)
NL-11.6	8.0mm	11.6mm	20	100 (mm/roll)
NL-13.0	10.0mm	13.0mm	20	100 (mm/roll)
NL-15.8	12.0mm	15.8mm	30	100 (mm/roll)
NL-18.5	14.3mm	18.5mm	40	100 (mm/roll)
NL-21.2	17.0mm	21.2mm	45	100 (mm/roll)
NL-25.0	20.0mm	25.0mm	45	100 (mm/roll)
NL-28.5	23.0mm	28.5mm	50	50 (mm/roll)
NL-34.5	29.0mm	34.5mm	60	50 (mm/roll)
NL-42.5	36.0mm	42.5mm	70	50 (mm/roll)
NL-54.5	48.0mm	54.5mm	90	25 (mm/roll)
NL-67.2	56.0mm	67.2mm	110	25 (mm/roll)
NL-80.0	69.0mm	80.0mm	140	25 (mm/roll)
NL-106.0	91.0mm	106.0mm	170	25 (mm/roll)



PE polyethylene plastic corrugated pipe  
Insulated, Matte, Affordable



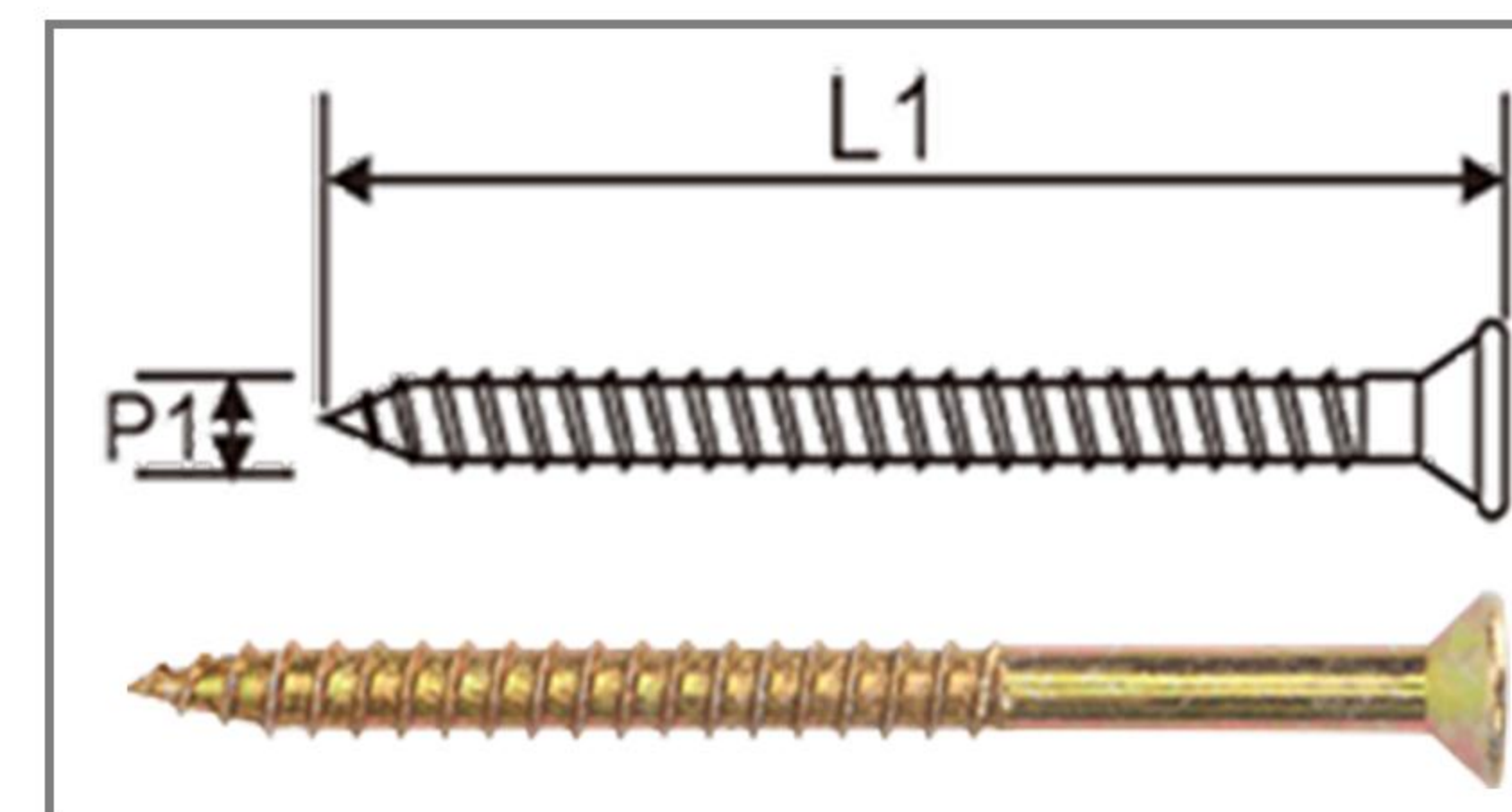
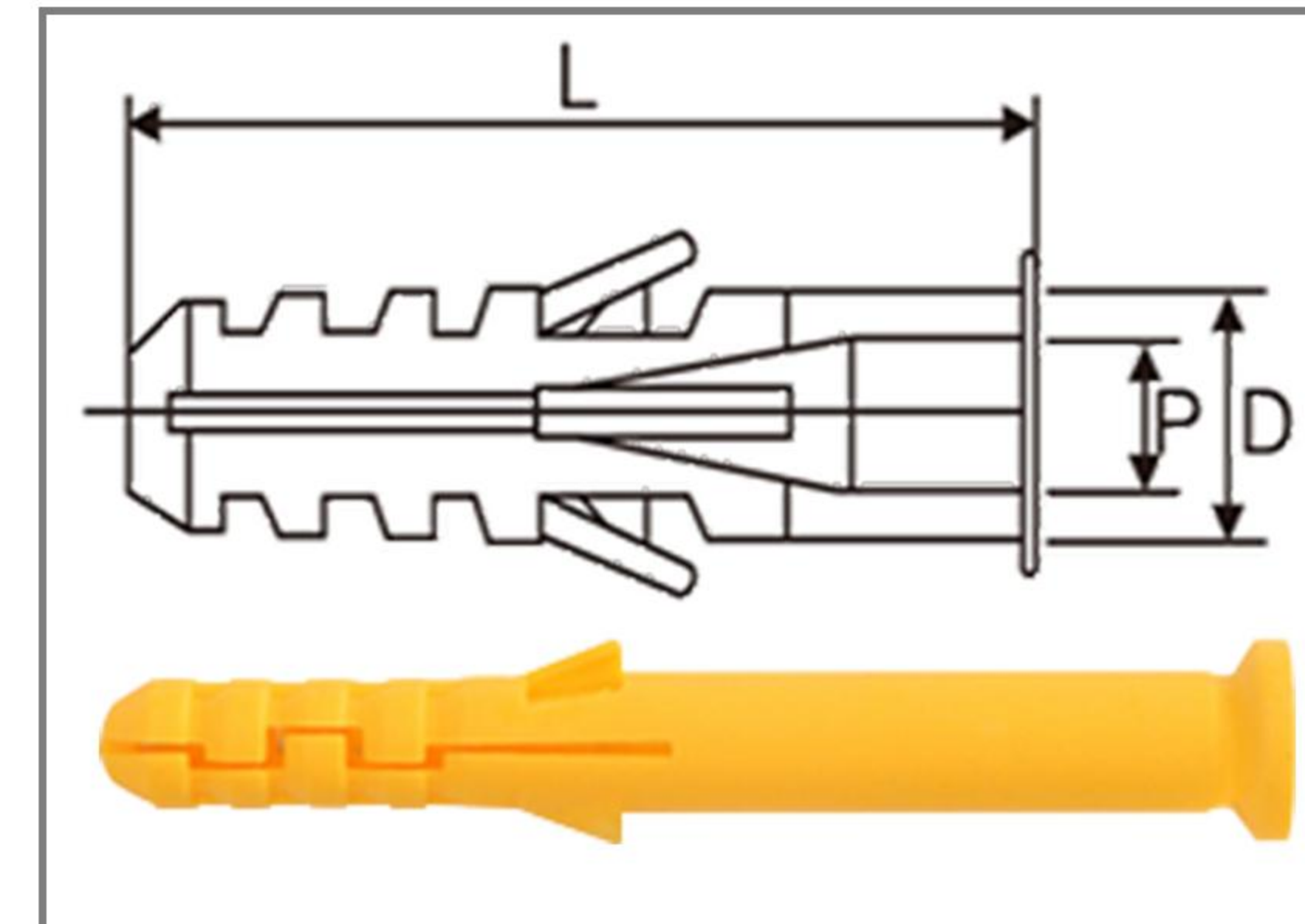
PP polypropylene plastic corrugated pipe  
Compression resistance, corrosion resistance, flame retardant, matte

PA-66 nylon bellows  
High brightness, corrosion resistance, insulation, flame retardant

Plastic Wall Plug  
塑料膨胀管

- The expansion sleeve made of plastic has low cost, no rust, corrosion resistance, aging resistance, Good toughness and large load.
- The expansion sleeve of the geometric structure, expands in all solid objects.
- Expansion sleeve with edge structure can prevent deep slippage in deep drilling.
- The expansion sleeve designed with anti-following structure will not follow the rotation in the drilled hole when screwing the screw.
- The expansion sleeve of environmental protection material can maintain good performance between (-40 to +80) degrees.

- 塑料材质的膨胀套造价低, 不生锈、耐腐蚀、耐老化、韧性好、荷载大。
- 几何结构的膨胀套, 在所有实心的物体中进行膨胀。
- 带边缘结构的膨胀套, 可防止在过深的钻孔中往深处滑移。
- 防跟转结构设计的膨胀套, 拧螺丝时不会在钻孔中跟随转动。
- 环保材质的膨胀套能在(-40至+80)度之间保持良好性能。



尺寸	长	内径	翼宽	外径	螺丝钉
Size	Length	I.D.	Width	O.D.	Screw D1*L1
NL-0420	20mm	3.0mm	1.10mm	4.0mm	2.0x20mm
NL-0525	25mm	4.0mm	1.10mm	5.0mm	2.5x25mm
NL-0630	30mm	5.0mm	1.60mm	6.0mm	4.0x30mm
NL-0735	35mm	5.7mm	1.46mm	7.0mm	4.5x35mm
NL-0840	40mm	5.9mm	1.90mm	8.0mm	5.0x40mm
NL-1050	50mm	7.9mm	2.30mm	10.0mm	5.0x50mm
NL-1260	60mm	11.0mm	2.40mm	12.0mm	8.0x60mm
NL-1475	75mm	11.0mm	2.20mm	14.0mm	10x70mm
NL-1680	80mm	14.0mm	2.40mm	16.0mm	10x80mm

所需螺丝长度

L+L1=所需螺丝长度

L (膨胀管长度)

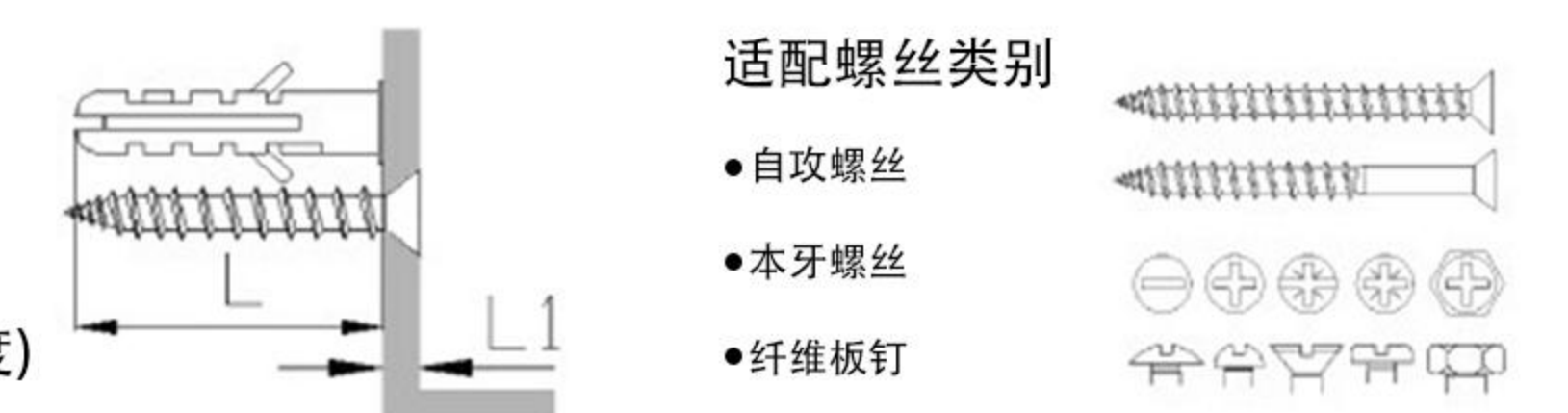
L1(被膨胀管套固定物厚度)

适配螺丝类别

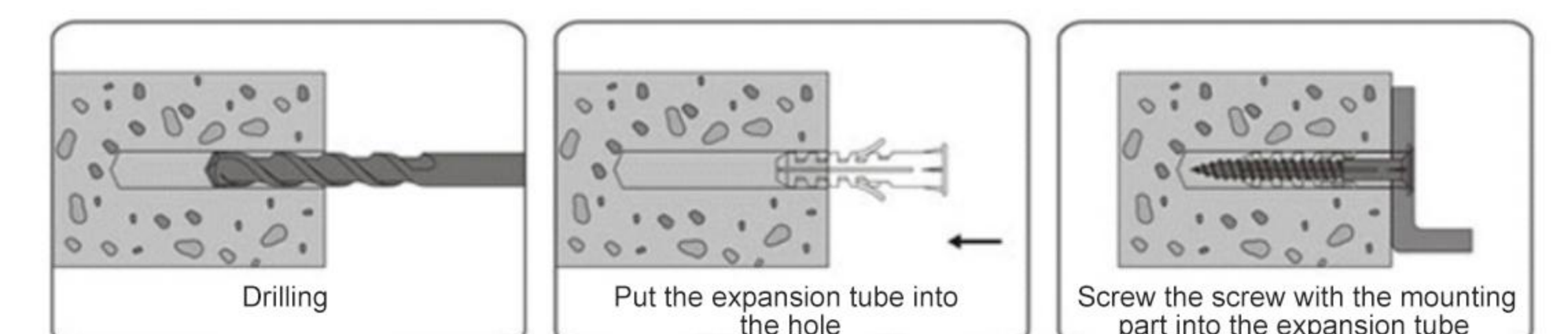
• 自攻螺丝

• 本牙螺丝

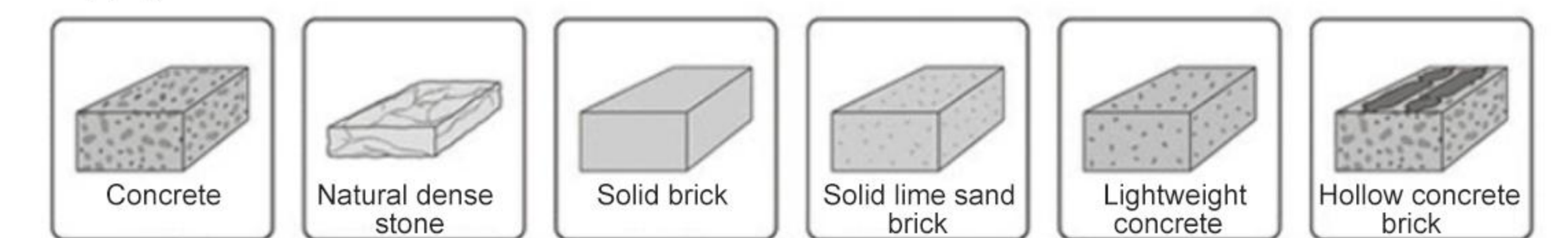
• 纤维板钉



Installation Notes



Apply to:



Measure with standard vernier calipers, screws are standard parts.

Do not use tape measure, ruler, student ruler to measure, the most error-prone.

